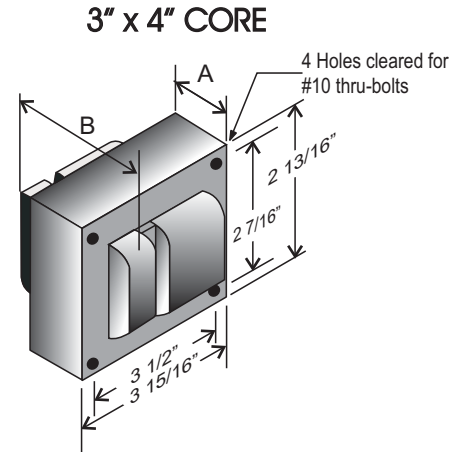


## CATALOG NUMBER: E-871-FTJ-117 FOR ONE 175 WATT, M57 METAL HALIDE LAMP

Line Voltage	120/277/347V
Regulation	
Line Volts	+/-10%
Lamp Watts	+/-10%
Frequency	60 Hz
Circuit Type	CWA
Power Factor (min)	90%
Insulation Class	H(180°)
Min. Ambient Starting Temp.	-20° F or -30° C

Line Voltage (Volts)	120	277	347
Line Current (Amps)			
Operating	1.80	0.78	0.62
Open Circuit	1.70	0.75	0.60
Starting	1.30	0.55	0.43
Input Watts (W)	210	210	210
Open Circuit Voltage (V)	305	305	305
Drop Out Voltage (V)	60	140	175
UL(1029) Bench Top Rise	D	D	D
Recommended Fuse (Amps)	5	2	2

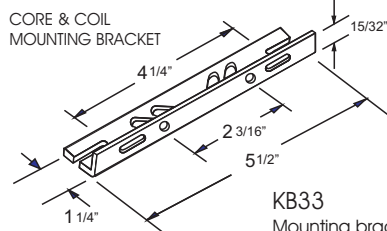
HIGH POTENTIAL TEST (VOLTS)			
1 Minute	2000		
2 Seconds	2500		
Open Circuit Voltage Test (volts)	275-335		
Short-Circuit Current Test (Amps)			
Secondary Current	1.5 - 1.9		
Input Current (Amps)		0.70 - 1.10	0.29 - 0.50
			0.23 - 0.40



### CORE AND COIL

Dimension A (inches)	2.25
Dimension B (inches)	3.75
Weight (Lbs)	7.50
Lead Lengths (inches)	12

### BRACKET

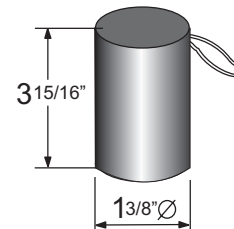


**KB33**  
Mounting bracket for  
Core & Coil Ballasts  
(1 bracket with thru bolts)



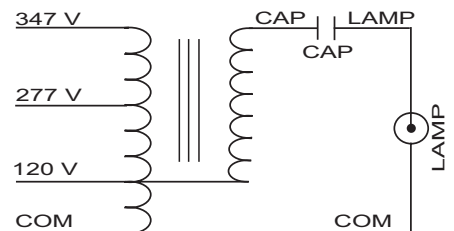
**C-01**  
MOUNTING CLIP for round  
case (Furnished as standard  
with B suffix ballast)

### CAPACITOR



**RATING**  
10 Mfd ± 3%  
400 VAC MIN  
Dry Film Capacitor  
Thermal Plastic Case  
Max. Case Temp 100° C  
NO PCB'S

### WIRING DIAGRAM



120/277/347 VOLT CONNECTION

## ORDERING INFORMATION

\*\*\* Add proper suffix to catalog number when ordering as indicated below:

- No suffix = Core and Coil Only
- B = Core and Coil, and Bracket
- C = Core and Coil, and Capacitor
- BC = Core and Coil, Capacitor and Bracket

Data is based upon tests performed by Industrias Sola Basic in a controlled environment and representative of relative performance. Actual Performance can vary depending on operating conditions. Specifications are subject to change without notice.

ISO 9001:2000

