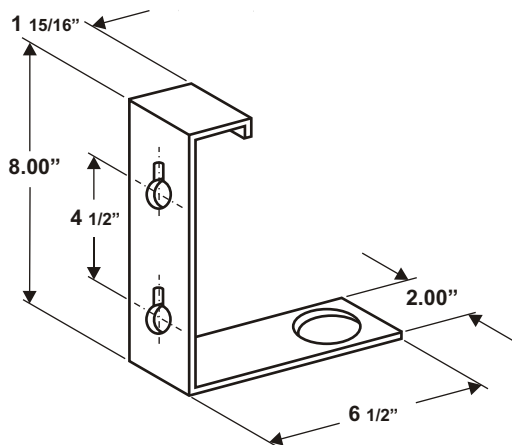


### CATALOG NUMBER: E-971-W-SO250-OD1 FOR ONE 250 WATT, S50 HIGH PRESSURE SODIUM LAMP

Line Voltage	120/208/240/277V
Regulation	
Line Volts	+/-10%
Line Watts	WITHIN TRAPEZOID
Frequency	60 Hz
Circuit Type	CWA
Power Factor (min)	90%
Insulation Class	H(180°)
Min. Ambient Starting Temp.	-40° F or -40° C

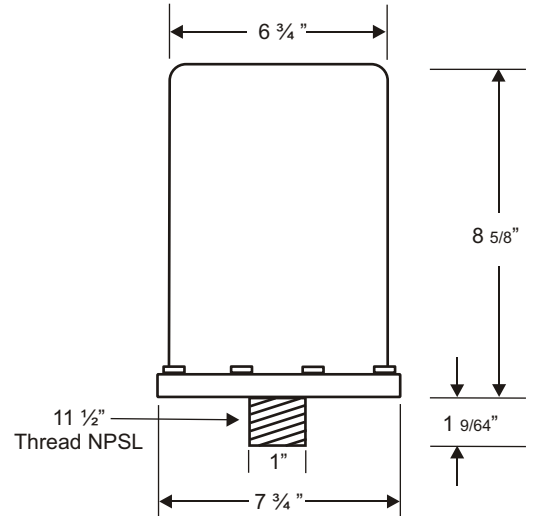
Line Voltage (Volts)	120	208	240	277
Line Current (Amps)				
Operating	2.5	1.5	1.3	1.1
Open Circuit	1.70	0.95	0.86	0.74
Starting	1.67	0.95	0.80	0.68
Input Watts (W)	295	295	295	295
Open Circuit Voltage (V)	185	185	185	185
Drop Out Voltage (V)	70	120	140	160
UL(1029) Bench Top Rise				
Recommended Fuse (Amps)	8	5	4	4
HIGH POTENTIAL TEST (VOLTS)				
1Minute	2000			
2 Seconds	2500			
Open Circuit Voltage Test(volts)	175-210			
Short-Circuit Current Test (Amps)				
Secondary Current	4.0 - 4.5			
Input Current (Amps)	1.30 - 1.75	0.75 - 1.00	0.63 - 0.90	0.55 - 0.80

#### MOUNTING BRACKET Included with ballast



Data is based upon tests performed by Industrias Sola Basic in a controlled environment and representative of relative performance. Actual Performance can vary depending on operating conditions. Specifications are subject to change without notice.

Made in Mexico by Industrias Sola Basic S.A de C.V.



#### OUTDOOR WEATHERPROOF

Weight (Lbs)	26
Lead Lengths (inches)	12

Suitable for use in a max. 50° C Ambient

#### Capacitor:

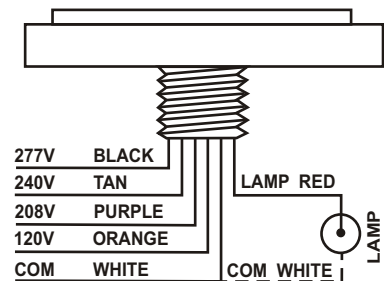
The capacitor is included as part of the potted assembly

#### Ignitor:

The ignitor is included as part of the potted assembly

Ballast to Lamp Distance (BTL) = 50 feet

#### WIRING DIAGRAM



120/208/240/277 VOLT CONNECTION

## SOLA CANADA

### LIGHTING & POWER

171 Ambassador Drive  
Units 8 & 9  
Mississauga, ON  
L5T 2J1

Phone: 905-670-0746  
Fax: 905-670-9689

www.solacanada.com