

### CATALOG NUMBER: E-MMCA00W250 FOR ONE 250 WATT, M58 METAL HALIDE LAMP

|                             |                  |
|-----------------------------|------------------|
| Line Voltage                | 120/208/240/277V |
| Regulation                  |                  |
| Line Volts                  | +/-10%           |
| Lamp Watts                  | +/-10%           |
| Frequency                   | 60 Hz            |
| Circuit Type                | CWA              |
| Power Factor (min)          | 90%              |
| Insulation Class            | H(180°)          |
| Min. Ambient Starting Temp. | -20° F or -30° C |

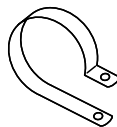
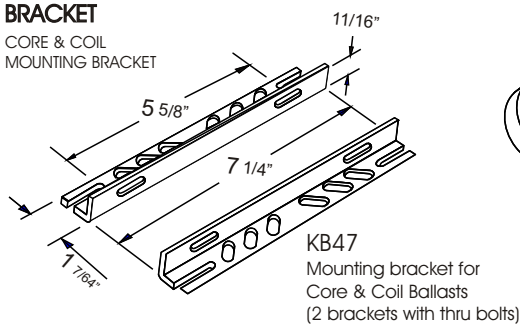
| Line Voltage (Volts)     | 120  | 208  | 240  | 277  |
|--------------------------|------|------|------|------|
| Line Current (Amps)      |      |      |      |      |
| Operating                | 2.60 | 1.50 | 1.30 | 1.15 |
| Open Circuit             | 1.93 | 1.09 | 0.98 | 0.85 |
| Starting                 | 2.15 | 1.26 | 1.10 | 0.96 |
| Input Watts (W)          | 290  | 290  | 290  | 290  |
| Open Circuit Voltage (V) | 300  | 300  | 300  | 300  |
| Drop Out Voltage (V)     | 60   | 104  | 120  | 140  |
| UL(1029) Bench Top Rise  | A    | B    | B    | B    |
| Recommended Fuse (Amps)  | 8    | 5    | 5    | 3    |

#### HIGH POTENTIAL TEST (VOLTS)

|                                   |  |
|-----------------------------------|--|
| 1 Minute                          | 2000   |
| 2 Seconds                         | 2500   |
| Open Circuit Voltage Test (volts) | 280-335  |
| Short-Circuit Current Test (Amps) |  |
| Secondary Current                 | 2.3 - 2.7  |
| Input Current (Amps)              | 2.05 - 2.20    1.17 - 1.28    0.97 - 1.15    0.89 - 0.97 |

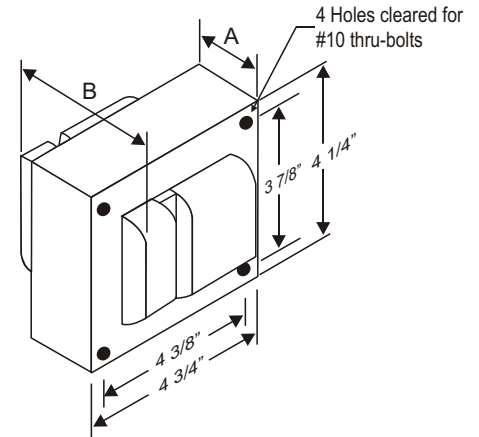
Coil Material : Primary Al and secondary Al

#### BRACKET CORE & COIL MOUNTING BRACKET



C-01  
MOUNTING CLIP for round case (Furnished as standard with B suffix ballast)

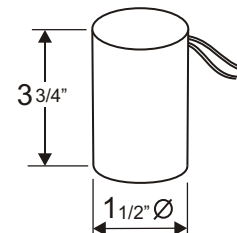
#### 4 1/4" x 4 3/4" CORE



#### CORE AND COIL

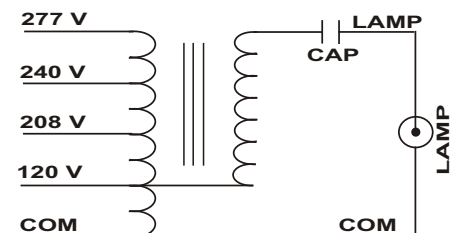
|                       |      |
|-----------------------|------|
| Dimension A (inches)  | 1.70 |
| Dimension B (inches)  | 3.60 |
| Weight (Lbs)          | 10.0 |
| Lead Lengths (inches) | 12   |

#### CAPACITOR



RATING  
15 Mfd ± 3%  
400 VAC MIN  
Dry Film Capacitor  
Thermal Plastic Case  
Max. Case Temp 100° C  
NO PCB'S

#### WIRING DIAGRAM



120/208/240/277 VOLT CONNECTION

Data is based upon tests performed by Industrias Sola Basic in a controlled environment and representative of relative performance. Actual Performance can vary depending on operating conditions. Specifications are subject to change without notice.

Made in Mexico by Industrias Sola Basic S.A de C.V.



## SOLA CANADA

### LIGHTING & POWER

171 Ambassador Drive  
Units 8 & 9  
Mississauga, ON  
L5T 2J1

Phone: 905-670-0746  
Fax: 905-670-9689

www.solacanada.com