

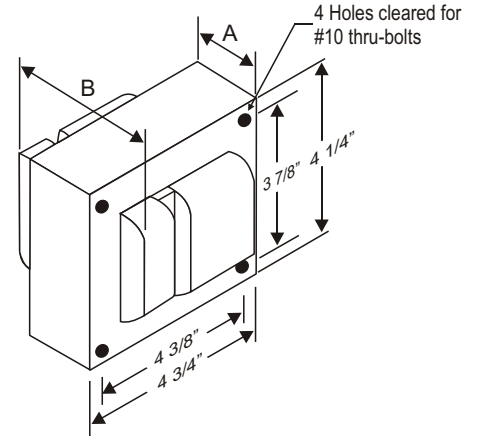
CATALOG NUMBER: E-MMCA00W400 FOR ONE 400 WATT, M59 METAL HALIDE LAMP

Line Voltage	120/208/240/277 V
Regulation	
Line Volts	+/-10%
Lamp Watts	+/-10%
Frequency	60 Hz
Circuit Type	CWA
Power Factor (min)	90%
Insulation Class	H(180°)
Min. Ambient Starting Temp.	-20° F or -30° C

Line Voltage (Volts)	120	208	240	277
Line Current (Amps)				
Operating	4.0	2.3	2.0	1.70
Open Circuit	2.85	1.72	1.45	1.30
Starting	3.30	2.0	1.70	1.50
Input Watts (W)	458	458	458	458
Open Circuit Voltage (V)	300	300	300	300
Drop Out Voltage (V)	60	104	120	140
UL(1029) Bench Top Rise	D	E	E	E
Recommended Fuse (Amps)	10	7	5	5

HIGH POTENTIAL TEST (VOLTS)	
1Minute	2000
2 Seconds	2500
Open Circuit Voltage Test(volts)	270-330
Short-Circuit Current Test (Amps)	
Secondary Current	3.4 - 4.2
Input Current (Amps)	3.20 - 1.93 - 1.63 - 1.40 - 3.43 2.0 1.73 1.52

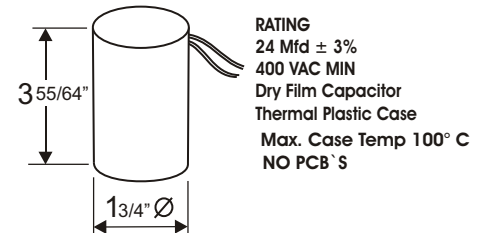
4 1/4" x 4 3/4" CORE



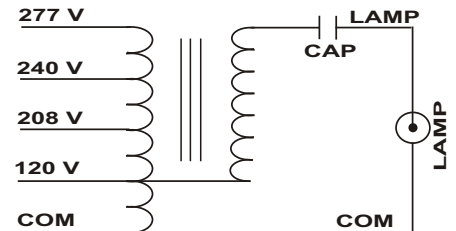
CORE AND COIL

Dimension A (inches)	2.18
Dimension B (inches)	4.25
Weight (Lbs)	12.1
Lead Lengths (inches)	12

CAPACITOR



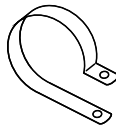
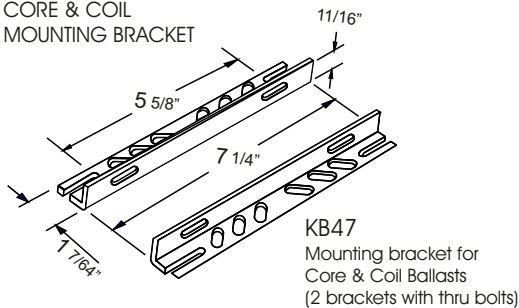
WIRING DIAGRAM



120/208/240/277 VOLT CONNECTION

Coil Material : Primary Al and secondary Al

BRACKET CORE & COIL MOUNTING BRACKET



C-01
MOUNTING CLIP for round case (Furnished as standard with B suffix ballast)

Data is based upon tests performed by Industrias Sola Basic in a controlled environment and representative of relative performance. Actual Performance can vary depending on operating conditions. Specifications are subject to change without notice.

Made in Mexico by Industrias Sola Basic S.A de C.V.



SOLA CANADA

LIGHTING & POWER

171 Ambassador Drive
Units 8 & 9
Mississauga, ON
L5T 2J1

Phone: 905-670-0746
Fax: 905-670-9689

www.solacanada.com