

CATALOG NUMBER: E-MMCAFTJ250 FOR ONE 250 WATT, M58 METAL HALIDE LAMP

Line Voltage	120/277/347V
Regulation	
Line Volts	+/-10%
Lamp Watts	+/-10%
Frequency	60 Hz
Circuit Type	CWA
Power Factor (min)	90%
Insulation Class	H(180°)
Min. Ambient Starting Temp.	-20° F or -30° C

Line Voltage (Volts)	120	277	347
Line Current (Amps)			
Operating	2.60	1.15	0.90
Open Circuit	1.90	0.85	0.68
Starting	2.17	0.95	0.75
Input Watts (W)	290	290	290
Open Circuit Voltage (V)	300	300	300
Drop Out Voltage (V)	60	140	175
UL(1029) Bench Top Rise	A	C	C
Recommended Fuse (Amps)	8	3	3

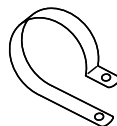
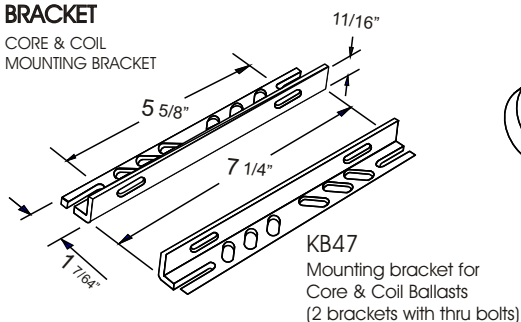
HIGH POTENTIAL TEST (VOLTS)

1 Minute	2000
2 Seconds	2500
Open Circuit Voltage Test (volts)	280-335
Short-Circuit Current Test (Amps)	
Secondary Current	2.3 - 2.7
Input Current (Amps)	2.03 - 0.90 - 0.70 - 2.19 0.96 0.77

Coil Material : Primary Al and secondary Al

BRACKET

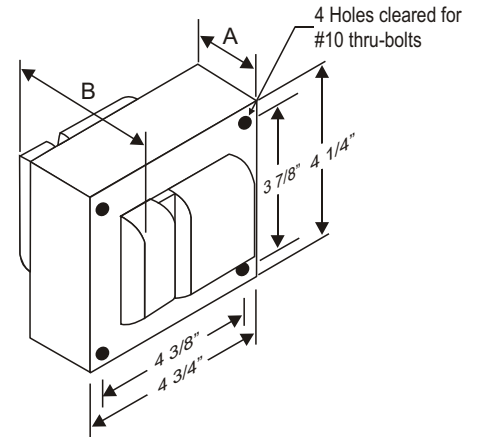
CORE & COIL
MOUNTING BRACKET



C-01

MOUNTING CLIP for round case (Furnished as standard with B suffix ballast)

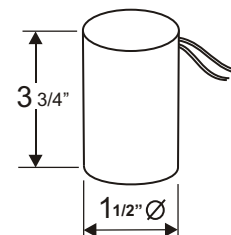
4 1/4" x 4 3/4" CORE



CORE AND COIL

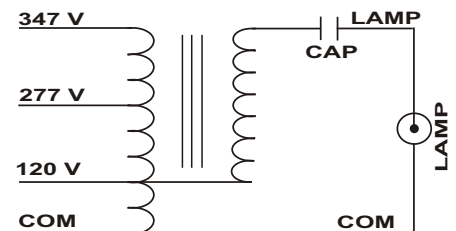
Dimension A (inches)	1.86
Dimension B (inches)	3.85
Weight (Lbs)	10.60
Lead Lengths (inches)	12

CAPACITOR



RATING
15 Mfd ± 3%
400 VAC MIN
Dry Film Capacitor
Thermal Plastic Case
Max. Case Temp 100° C
NO PCB'S

WIRING DIAGRAM



120/277/347 VOLT CONNECTION

Data is based upon tests performed by Industrias Sola Basic in a controlled environment and representative of relative performance. Actual Performance can vary depending on operating conditions. Specifications are subject to change without notice.

Made in Mexico by Industrias Sola Basic S.A de C.V.



SOLA CANADA

LIGHTING & POWER

171 Ambassador Drive
Units 8 & 9
Mississauga, ON
L5T 2J1

Phone: 905-670-0746
Fax: 905-670-9689

www.solacanada.com