

### CATALOG NUMBER: E-MMCAFTJ400 FOR ONE 400 WATT, M59 METAL HALIDE LAMP

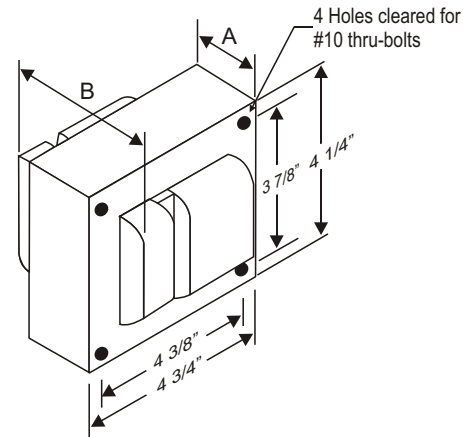
Line Voltage	120/277/347V
Regulation	
Line Volts	+/-10%
Lamp Watts	+/-10%
Frequency	60 Hz
Circuit Type	CWA
Power Factor (min)	90%
Insulation Class	H(180°)
Min. Ambient Starting Temp.	-20° F or -30° C

Line Voltage (Volts)	120	277	347
Line Current (Amps)			
Operating	4.0	1.70	1.40
Open Circuit	3.2	1.40	1.12
Starting	3.8	1.45	1.20
Input Watts (W)	458	458	458
Open Circuit Voltage (V)	300	300	300
Drop Out Voltage (V)	60	140	175
UL(1029) Bench Top Rise	C	D	D
Recommended Fuse (Amps)	10	5	4

#### HIGH POTENTIAL TEST (VOLTS)

1 Minute	2000
2 Seconds	2500
Open Circuit Voltage Test(volts)	270-330
Short-Circuit Current Test (Amps)	
Secondary Current	3.4 - 4.2
Input Current (Amps)	3.0 - 1.33 - 1.06 - 3.3 1.45 1.17

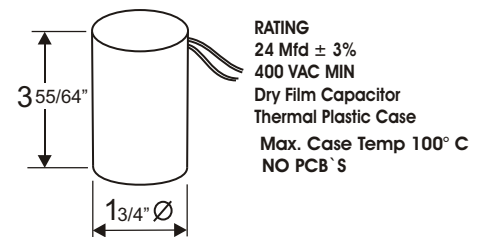
#### 4 1/4" x 4 3/4" CORE



#### CORE AND COIL

Dimension A (inches)	2.46
Dimension B (inches)	4.35
Weight (Lbs)	13.4
Lead Lengths (inches)	12

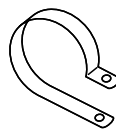
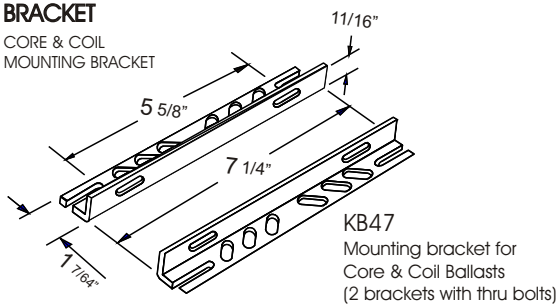
#### CAPACITOR



Coil Material : Primary Al and secondary Al

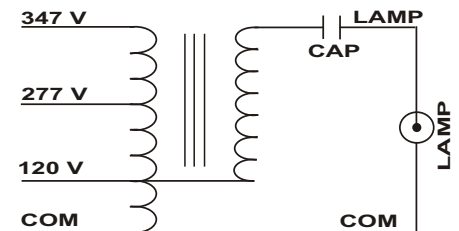
#### BRACKET

CORE & COIL  
MOUNTING BRACKET



**C-01**  
MOUNTING CLIP for round  
case (Furnished as standard  
with B suffix ballast)

#### WIRING DIAGRAM



120/277/347 VOLT CONNECTION

Data is based upon tests performed by Industrias Sola Basic in a controlled environment and representative of relative performance. Actual Performance can vary depending on operating conditions. Specifications are subject to change without notice.



## SOLA CANADA

### LIGHTING & POWER

171 Ambassador Drive  
Units 8 & 9  
Mississauga, ON  
L5T 2J1

Phone: 905-670-0746  
Fax: 905-670-9689

www.solacanada.com

Made in Mexico by Industrias Sola Basic S.A de C.V.