

CATALOG NUMBER: E-MMIAJDDZ250 FOR ONE 250 WATT, M58 METAL HALIDE LAMP

Line Voltage	347/480/600V
Regulation	
Line Volts	+/-10%
Lamp Watts	+/-10%
Frequency	60 Hz
Circuit Type	CWI
Power Factor (min)	90%
Insulation Class	H(180°)
Min. Ambient Starting Temp.	-20° F or -30° C

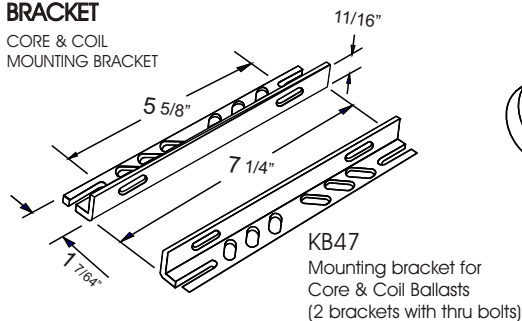
Line Voltage (Volts)	347	480	600
Line Current (Amps)			
Operating	0.90	0.65	0.52
Open Circuit	0.65	0.48	0.40
Starting	0.30	0.24	0.20
Input Watts (W)	292	292	292
Open Circuit Voltage (V)	300	300	300
Drop Out Voltage (V)	190	260	315
UL(1029) Bench Top Rise	C	B	C
Recommended Fuse (Amps)	3	2	2

HIGH POTENTIAL TEST (VOLTS)			
1 Minute	2000		
2 Seconds	2500		
Open Circuit Voltage Test(volts)	275-325		
Short-Circuit Current Test (Amps)			
Secondary Current	2.3 - 2.6		
Input Current (Amps)		0.20 -	0.15 -
		0.37	0.24
			0.12 -
			0.19

Coil Material : Primary Cu and secondary Al

BRACKET

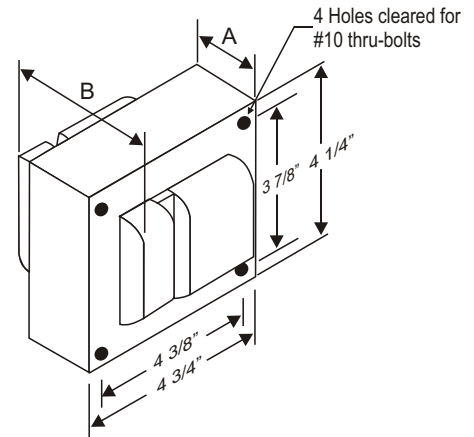
CORE & COIL
MOUNTING BRACKET



C-01

MOUNTING CLIP for round case (Furnished as standard with B suffix ballast)

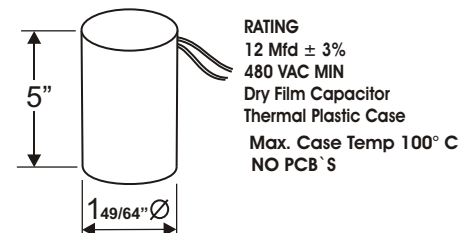
4 1/4" x 4 3/4" CORE



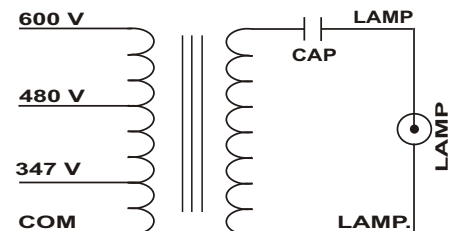
CORE AND COIL

Dimension A (inches)	2.16
Dimension B (inches)	4.00
Weight (Lbs)	12.70
Lead Lengths (inches)	12

CAPACITOR



WIRING DIAGRAM



347/480/600 VOLT CONNECTION

Data is based upon tests performed by Industrias Sola Basic in a controlled environment and representative of relative performance. Actual Performance can vary depending on operating conditions. Specifications are subject to change without notice.

Made in Mexico by Industrias Sola Basic S.A de C.V.



SOLA CANADA

LIGHTING & POWER

171 Ambassador Drive
Units 8 & 9
Mississauga, ON
L5T 2J1

Phone: 905-670-0746
Fax: 905-670-9689

www.solacanada.com