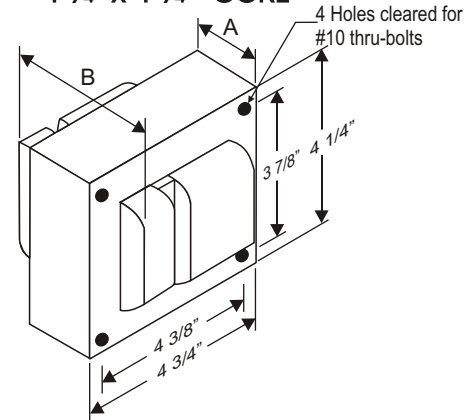


CATALOG NUMBER: E-SSCAWDD250 FOR ONE 250 WATT, S50 HIGH PRESSURE SODIUM LAMP

Line Voltage	120/208/240/277/480V
Regulation	
Line Volts	+/-10%
Lamp Watts	WITHIN TRAPEZOID
Frequency	60 Hz
Circuit Type	CWA
Power Factor (min)	90%
Insulation Class	H(180°)
Min. Ambient Starting Temp.	-40° F or -40° C

Line Voltage (Volts)	120	208	240	277	480
Line Current (Amps)					
Operating	2.50	1.50	1.30	1.10	0.65
Open Circuit	1.30	0.77	0.65	0.58	0.35
Starting	1.95	1.15	0.97	0.87	0.48
Input Watts (W)	295	295	295	295	295
Open Circuit Voltage (V)	190	190	190	190	190
Drop Out Voltage (V)	83	147	168	187	325
UL(1029) Bench Top Rise	B	C	C	C	C
Recommended Fuse (Amps)	7	4	3	3	2
HIGH POTENTIAL TEST (VOLTS)					
1Minute	2000				
2 Seconds	2500				
Open Circuit Voltage Test(volts)	175-210				
Short-Circuit Current Test (Amps)					
Secondary Current	4.0 - 4.5				
Input Current (Amps)	1.58 - 1.91	1.0 - 1.10	0.86 - 0.96	0.75 - 0.83	0.43 - 0.48

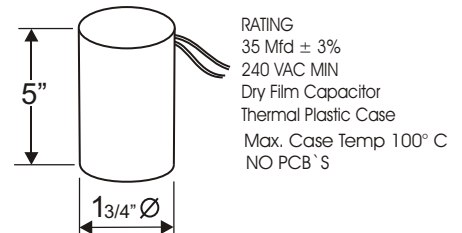
4 1/4" x 4 3/4" CORE



CORE AND COIL

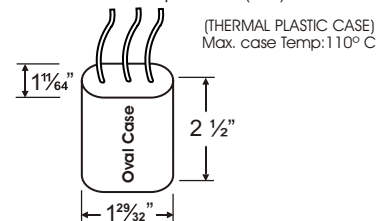
Dimension A (inches)	2.0
Dimension B (inches)	4.0
Weight (Lbs)	12.6
Lead Lengths (inches)	12

CAPACITOR

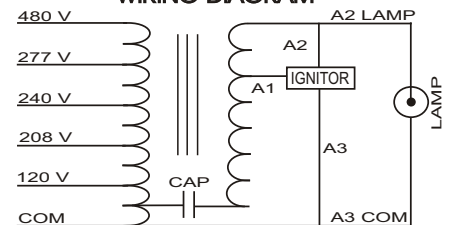


IGNITOR 37-63-AS-6.9-N6

Ballast to Lamp Distance (BTL): 2 feet



WIRING DIAGRAM

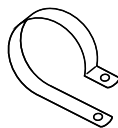
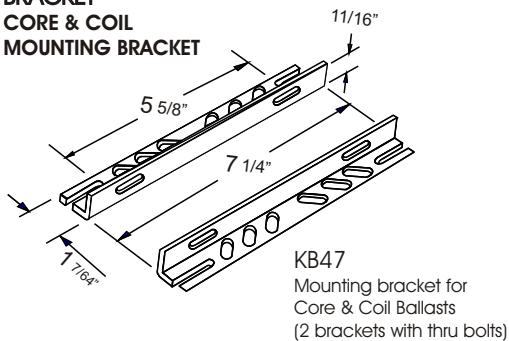


120/208/240/277/480 VOLT CONNECTION

BRACKET

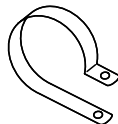
CORE & COIL

MOUNTING BRACKET



C-01

MOUNTING CLIP for round case (Furnished as standard with B suffix ballast)



I-01

MOUNTING CLIP for oval case (Furnished as standard with B suffix ballast)

Data is based upon tests performed by Industrias Sola Basic in a controlled environment and representative of relative performance. Actual Performance can vary depending on operating conditions. Specifications are subject to change without notice.

Made in Mexico by Industrias Sola Basic S.A de C.V.

SOLA CANADA

LIGHTING & POWER



171 Ambassador Drive
Units 8 & 9
Mississauga, ON
L5T 2J1

Phone: 905-670-0746
Fax: 905-670-9689

www.solacanada.com