

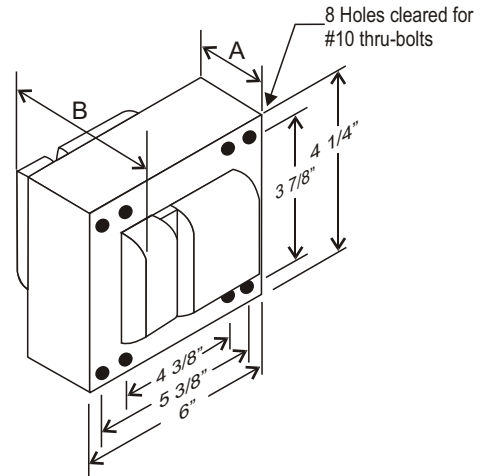
CATALOG NUMBER: E-871-DD-211 FOR ONE 1000 WATT, M47 METAL HALIDE LAMP

| | |
|-----------------------------|------------------|
| Line Voltage | 480V |
| Regulation | |
| Line Volts | +/-10% |
| Line Watts | +/-10% |
| Frequency | 60 Hz |
| Circuit Type | CWA |
| Power Factor (min) | 90% |
| Insulation Class | H(180°) |
| Min. Ambient Starting Temp. | -20° F or -30° C |

| | |
|--------------------------|------|
| Line Voltage (Volts) | 480 |
| Line Current (Amps) | |
| Operating | 2.30 |
| Open Circuit | 1.30 |
| Starting | 1.65 |
| Input Watts (W) | 1080 |
| Open Circuit Voltage (V) | 421 |
| Drop Out Voltage (V) | 240 |
| UL(1029) Bench Top Rise | D |
| Recommended Fuse (Amps) | 6 |

| | |
|-----------------------------------|-------------|
| HIGH POTENTIAL TEST (VOLTS) | |
| 1 Minute | 2000 |
| 2 Seconds | 2500 |
| Open Circuit Voltage Test(volts) | 390-460 |
| Short-Circuit Current Test (Amps) | |
| Secondary Current | 5.3 - 6.2 |
| Input Current (Amps) | 1.40 - 1.90 |

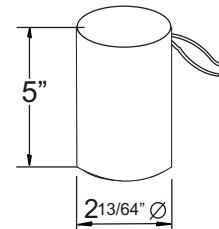
4 1/4" x 6" CORE



CORE AND COIL

| | |
|-----------------------|-------|
| Dimension A (inches) | 2.80 |
| Dimension B (inches) | 4.75 |
| Weight (Lbs) | 24.00 |
| Lead Lengths (inches) | 12 |

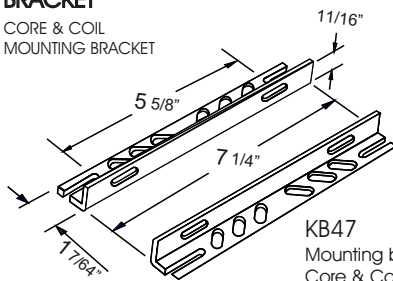
CAPACITOR



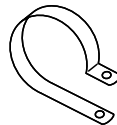
RATING
24 Mfd ± 3%
480 VAC MIN
Dry Film Capacitor
Thermal Plastic Case
Max. Case Temp 100° C
NO PCB'S

BRACKET

CORE & COIL
MOUNTING BRACKET

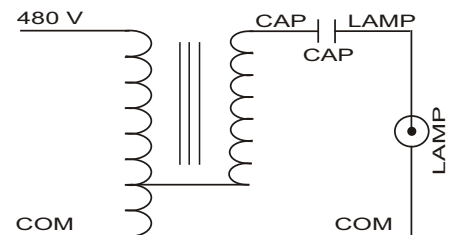


KB47
Mounting bracket for
Core & Coil Ballasts
(2 brackets with thru bolts)



C-01
MOUNTING CLIP for round
case (Furnished as standard
with B suffix ballast)

WIRING DIAGRAM



480 VOLT CONNECTION

Data is based upon tests performed by Industrias Sola Basic in a controlled environment and representative of relative performance. Actual Performance can vary depending on operating conditions. Specifications are subject to change without notice.



Certificate No. 006281



SOLA CANADA

LIGHTING & POWER

171 Ambassador Drive
Units 8 & 9
Mississauga, ON
L5T 2J1

Phone: 905-670-0746
Fax: 905-670-9689

www.solacanada.com