

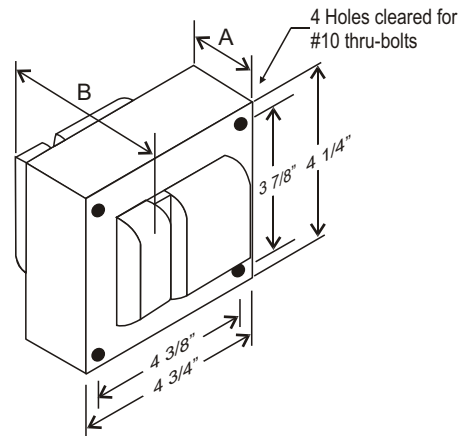
CATALOG NUMBER: E-871-DD-251 FOR ONE 250 WATT, M58 METAL HALIDE LAMP

Line Voltage	480V
Regulation	
Line Volts	+/-10%
Line Watts	+/-10%
Frequency	60 Hz
Circuit Type	CWA
Power Factor (min)	90%
Insulation Class	H(180°)
Min. Ambient Starting Temp.	-20° F or -30° C

Line Voltage (Volts)	480
Line Current (Amps)	
Operating	0.63
Open Circuit	0.63
Starting	0.39
Input Watts (W)	290
Open Circuit Voltage (V)	300
Drop Out Voltage (V)	240
UL(1029) Bench Top Rise	A
Recommended Fuse (Amps)	2

HIGH POTENTIAL TEST (VOLTS)	
1 Minute	2000
2 Seconds	2500
Open Circuit Voltage Test (volts)	280-330
Short-Circuit Current Test (Amps)	
Secondary Current	2.30 - 2.65
Input Current (Amps)	0.30 - 0.45

4 1/4" x 4 3/4" CORE

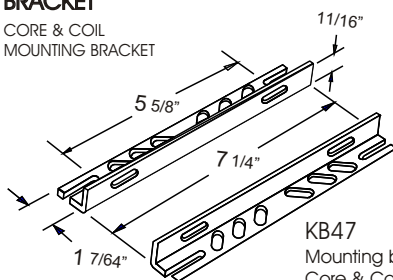


CORE AND COIL

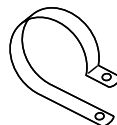
Dimension A (inches)	1.50
Dimension B (inches)	3.35
Weight (Lbs)	10.40
Lead Lengths (inches)	12

BRACKET

CORE & COIL
MOUNTING BRACKET

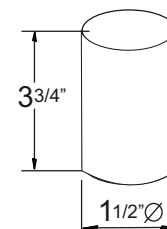


KB47
Mounting bracket for
Core & Coil Ballasts
(2 brackets with thru bolts)



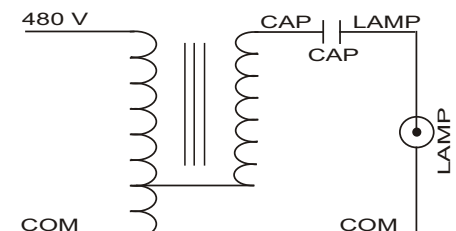
C-01
MOUNTING CLIP for round
case (Furnished as standard
with B suffix ballast)

CAPACITOR



RATING
15 Mfd ± 3%
400 VAC MIN
Dry Film Capacitor
Thermal Plastic Case
Max. Case Temp 100° C
NO PCB'S

WIRING DIAGRAM



480 VOLT CONNECTION

SOLA CANADA
LIGHTING & POWER

Data is based upon tests performed by Industrias Sola Basic in a controlled environment and representative of relative performance. Actual Performance can vary depending on operating conditions. Specifications are subject to change without notice.



Certificate No. 006281



Made in Mexico by Industrias Sola Basic S.A de C.V.

171 Ambassador Drive
Units 8 & 9
Mississauga, ON
L5T 2J1

Phone: 905-670-0746
Fax: 905-670-9689

www.solacanada.com