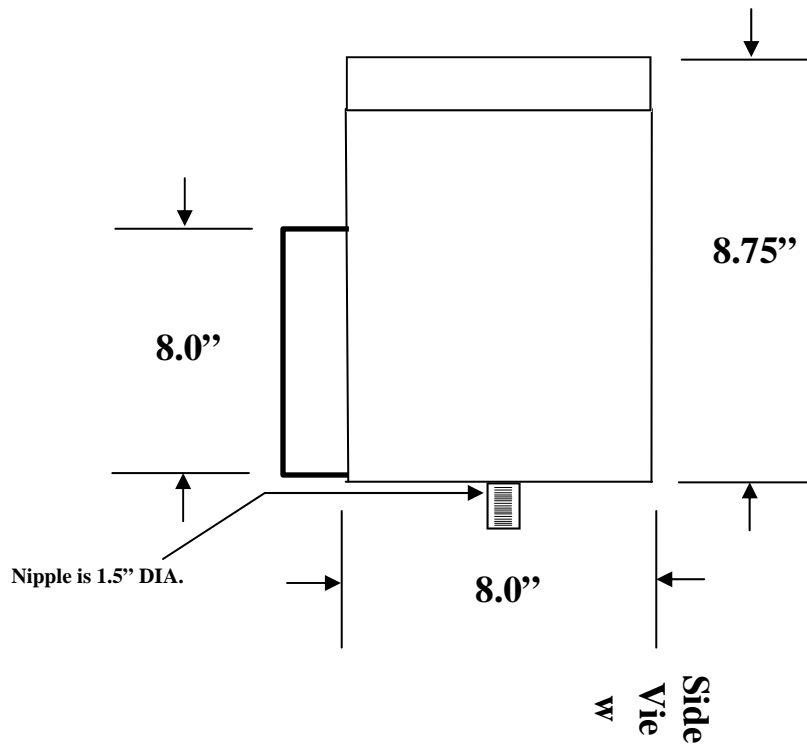


Technical Data Sheet for HID Outdoor Weatherproof Ballasts

**SOLA Canada
Outdoor Weatherproof Enclosed Ballast
Dimensional Data
Model #: E871-FTJ-411-OD
For M59/H33 Lamps**



SOLA Canada
Outdoor Weatherproof Enclosed Ballast
Dimensional Data
Model #: E871-FTJ-411-OD
For M59/H33 Lamps

Line Voltage	120/277/347V		
Regulation			
Line Volts	+/-10%		
Line Watts	+/-10%		
Frequency	60 Hz		
Circuit Type	CWA		
Power Factor (min)	90%		
Insulation Class	H(180°)		
Min. Ambient Starting Temp.	-20° F or -30° C		
Line Voltage (Volts)	120	277	347
Line Current (Amps)			
Operating	4.0	1.70	1.40
Open Circuit	3.50	1.60	1.30
Starting	2.90	1.30	1.00
Input Watts (W)	458	458	458
Open Circuit Voltage (V)	300	300	300
Drop Out Voltage (V)	60	140	175
UL(1029) Bench Top Rise	B	D	D
Recommended Fuse (Amps)	10	5	4
HIGH POTENTIAL TEST (VOLTS)			
1 Minute	2000		
2 Seconds	2500		
Open Circuit Voltage Test(volts)	270-330		
Short-Circuit Current Test (Amps)			
Secondary Current	3.4 - 4.2		
Input Current (Amps)	2.50 -	1.05 -	0.85 -
	3.10	1.40	1.10

