

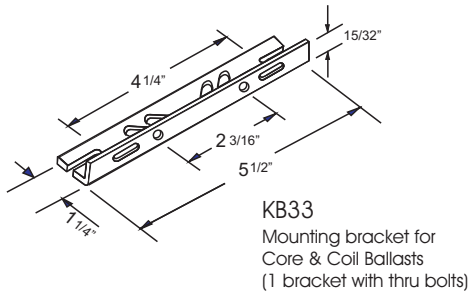
CATALOG NUMBER: E-871-WDD-117 FOR ONE 175 WATT, M57 METAL HALIDE LAMP

Line Voltage	120/208/240/277/480 V
Regulation	
Line Volts	+/-10%
Line Watts	+/-10%
Frequency	60 Hz
Circuit Type	CWA
Power Factor (min)	90%
Insulation Class	H(180°)
Min. Ambient Starting Temp.	-20° F or -30° C

Line Voltage (Volts)	120	208	240	277	480
Line Current (Amps)					
Operating	1.80	1.04	0.90	0.78	0.45
Open Circuit	1.96	1.15	1.00	0.86	0.54
Starting	1.20	0.70	0.61	0.53	0.30
Input Watts (W)	210	210	210	210	210
Open Circuit Voltage (V)	305	305	305	305	305
Drop Out Voltage (V)	60	104	120	140	240
UL(1029) Bench Top Rise	B	A	A	A	C
Recommended Fuse (Amps)	5	3	3	2	2

HIGH POTENTIAL TEST (VOLTS)						
1 Minute	2000					
2 Seconds	2500					
Open Circuit Voltage Test (volts)	280-340					
Short-Circuit Current Test (Amps)						
Secondary Current	1.5 - 1.90	1.10 -	0.65 -	0.55 -	0.47 -	0.26 -
Input Current (Amps)		1.35	0.80	0.70	0.60	0.35

BRACKET CORE & COIL MOUNTING BRACKET



C-01
MOUNTING CLIP for round case (Furnished as standard with B suffix ballast)

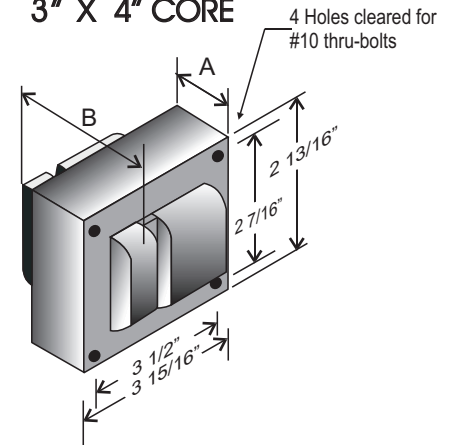
ORDERING INFORMATION

*** Add proper suffix to catalog number when ordering as indicated below:
 No suffix = Core and Coil Only
 B= Core and Coil, and Bracket
 C=Core and Coil, and Capacitor
 BC=Core and Coil, Capacitor and Bracket

Data is based upon tests performed by Industrias Sola Basic in a controlled environment and representative of relative performance. Actual Performance can vary depending on operating conditions. Specifications are subject to change without notice.

Made in Mexico by Industrias Sola Basic S.A de C.V.

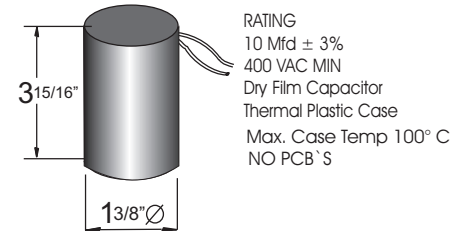
3" X 4" CORE



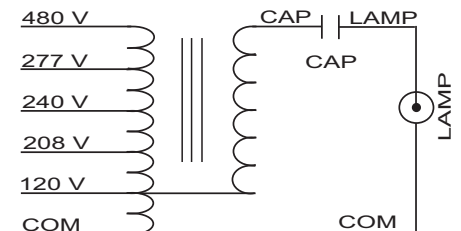
CORE AND COIL

Dimension A (inches)	2.48
Dimension B (inches)	4.00
Weight (Lbs)	8.20
Lead Lengths (inches)	12

CAPACITOR



WIRING DIAGRAM



120/208/240/277/480 VOLT CONNECTION



ISO 9001