

CATALOG NUMBER: E-871-WDD-211 FOR ONE 1000 WATT, M47 METAL HALIDE LAMP

Line Voltage	120/208/240/277/480 V
Regulation	
Line Volts	+/-10%
Line Watts	+/-10%
Frequency	60 Hz
Circuit Type	CWA
Power Factor (min)	90%
Insulation Class	H(180°)
Min. Ambient Starting Temp.	-20° F or -30° C

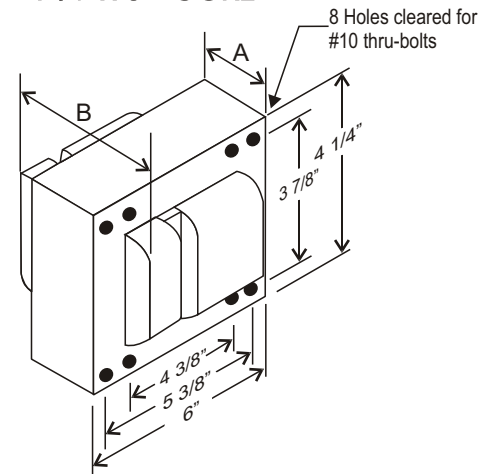
Line Voltage (Volts)	120	208	240	277	480
Line Current (Amps)					
Operating	9.2	5.3	4.6	4.0	2.30
Open Circuit	5.6	3.5	2.85	2.6	1.5
Starting	6.6	3.8	3.3	2.9	1.7
Input Watts (W)	1080	1080	1080	1080	1080
Open Circuit Voltage (V)	420	420	420	420	420
Drop Out Voltage (V)	78	125	150	180	295
UL(1029) Bench Top Rise	D	B	B	B	B
Recommended Fuse (Amps)	20	15	10	10	10

HIGH POTENTIAL TEST (VOLTS)

1Minute	2000
2 Seconds	2500
Open Circuit Voltage Test(volts)	385-455
Short-Circuit Current Test (Amps)	
Secondary Current	5.20 - 6.00

Input Current (Amps)	5.65 - 3.15 - 2.85 - 2.40 - 1.37 -
	7.30 4.30 3.70 3.22 1.85

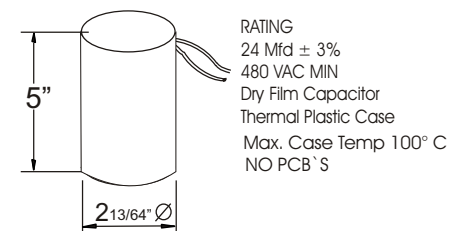
4 1/4" x 6" CORE



CORE AND COIL

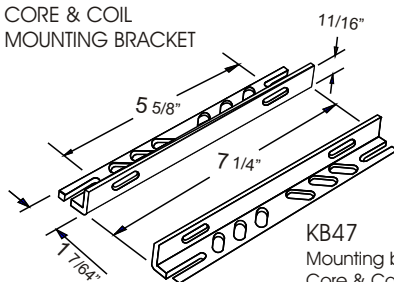
Dimension A (inches)	3.00
Dimension B (inches)	5.10
Weight (Lbs)	24.00
Lead Lengths (inches)	12

CAPACITOR

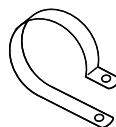


BRACKET

CORE & COIL
MOUNTING BRACKET

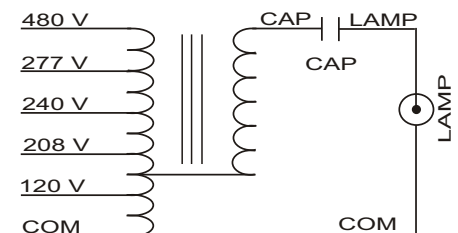


KB47
Mounting bracket for
Core & Coil Ballasts
(2 brackets with thru bolts)



C-01
MOUNTING CLIP for round
case (Furnished as standard
with B suffix ballast)

WIRING DIAGRAM



120/208/240/277/480 VOLT CONNECTION

Data is based upon tests performed by Industrias Sola Basic in a controlled environment and representative of relative performance. Actual Performance can vary depending on operating conditions. Specifications are subject to change without notice.



Certificate No. 006281



SOLA CANADA LIGHTING & POWER

171 Ambassador Drive
Units 8 & 9
Mississauga, ON
L5T 2J1

Phone: 905-670-0746
Fax: 905-670-9689

www.solacanada.com

Made in Mexico by Industrias Sola Basic S.A de C.V.