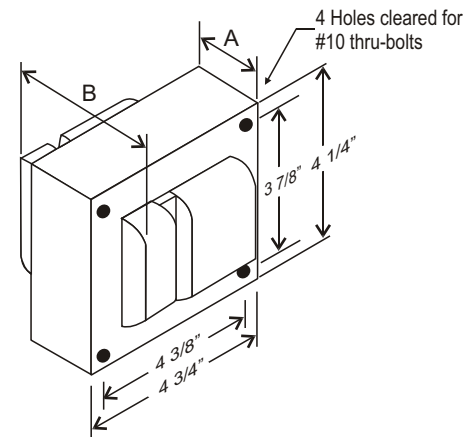


CATALOG NUMBER: E-871-WDD-251 FOR ONE 250 WATT, M58 METAL HALIDE LAMP

Line Voltage	120/208/240/277/480 V
Regulation	
Line Volts	+/-10%
Line Watts	+/-10%
Frequency	60 Hz
Circuit Type	CWA
Power Factor (min)	90%
Insulation Class	H(180°)
Min. Ambient Starting Temp.	-20° F or -30° C

Line Voltage (Volts)	120	208	240	277	480
Line Current (Amps)					
Operating	2.50	1.45	1.25	1.10	0.63
Open Circuit	2.50	1.45	1.25	1.10	0.63
Starting	1.56	0.90	0.77	0.68	0.39
Input Watts (W)	290	290	290	290	290
Open Circuit Voltage (V)	300	300	300	300	300
Drop Out Voltage (V)	60	104	120	140	240
UL(1029) Bench Top Rise	A	A	A	A	A
Recommended Fuse (Amps)	8	5	5	3	2
HIGH POTENTIAL TEST (VOLTS)					
1 Minute	2000				
2 Seconds	2500				
Open Circuit Voltage Test (volts)	280-330				
Short-Circuit Current Test (Amps)					
Secondary Current	2.30 - 2.65				
Input Current (Amps)	1.20 - 1.80	0.65 - 1.05	0.60 - 0.90	0.50 - 0.80	0.30 - 0.45

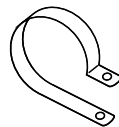
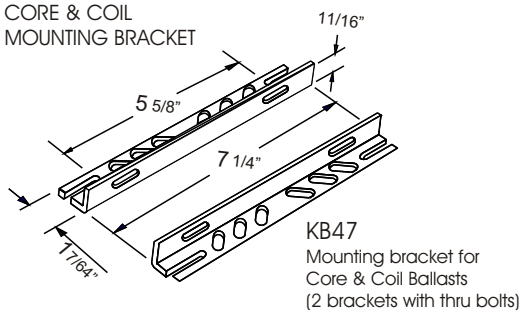
4 1/4" x 4 3/4" CORE



CORE AND COIL

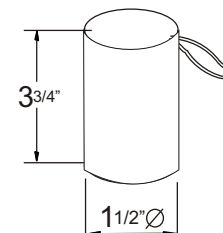
Dimension A (inches)	1.50
Dimension B (inches)	3.35
Weight (Lbs)	10.40
Lead Lengths (inches)	12

BRACKET CORE & COIL MOUNTING BRACKET



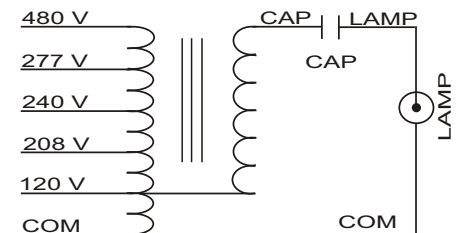
C-01
MOUNTING CLIP for round case (Furnished as standard with B suffix ballast)

CAPACITOR



RATING
15 Mfd ± 3%
400 VAC MIN
Dry Film Capacitor
Thermal Plastic Case
Max. Case Temp 100° C
NO PCB'S

WIRING DIAGRAM



120/208/240/277/480 VOLT CONNECTION

Data is based upon tests performed by Industrias Sola Basic in a controlled environment and representative of relative performance. Actual Performance can vary depending on operating conditions. Specifications are subject to change without notice.



Certificate No. 006281



SOLA CANADA

LIGHTING & POWER

171 Ambassador Drive
Units 8 & 9
Mississauga, ON
L5T 2J1

Phone: 905-670-0746
Fax: 905-670-9689

www.solacanada.com

Made in Mexico by Industrias Sola Basic S.A de C.V.