

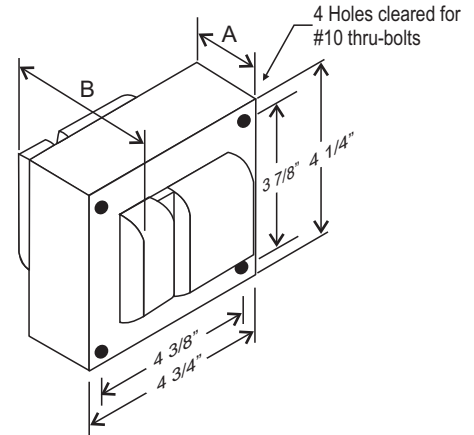
CATALOG NUMBER: E-871-WDD-411 FOR ONE 400 WATT, M59 METAL HALIDE LAMP

Line Voltage	120/208/240/277/480 V
Regulation	
Line Volts	+/-10%
Line Watts	+/-10%
Frequency	60 Hz
Circuit Type	CWA
Power Factor (min)	90%
Insulation Class	H(180°)
Min. Ambient Starting Temp.	-20° F or -30° C

Line Voltage (Volts)	120	208	240	277	480
Line Current (Amps)					
Operating	4.00	2.30	2.00	1.70	1.00
Open Circuit	3.15	2.10	1.60	1.38	0.80
Starting	3.20	1.90	1.60	1.38	0.80
Input Watts (W)	458	458	458	458	458
Open Circuit Voltage (V)	300	300	300	300	300
Drop Out Voltage (V)	60	104	120	140	240
UL(1029) Bench Top Rise	A	A	B	B	C
Recommended Fuse (Amps)	10	7	5	5	3

HIGH POTENTIAL TEST (VOLTS)	
1Minute	2000
2 Seconds	2500
Open Circuit Voltage Test(volts)	278-335
Short-Circuit Current Test (Amps)	
Secondary Current	3.70 - 4.35
Input Current (Amps)	2.90 - 3.30 1.65 - 1.95 1.45 - 1.65 1.32 - 1.45 0.65 - 0.85

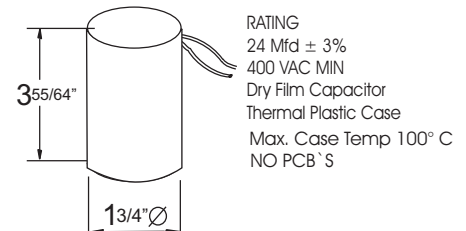
4 1/4" x 4 3/4" CORE



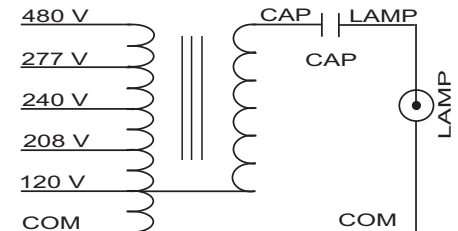
CORE AND COIL

Dimension A (inches)	2.20
Dimension B (inches)	4.20
Weight (Lbs)	14.00
Lead Lengths (inches)	12

CAPACITOR



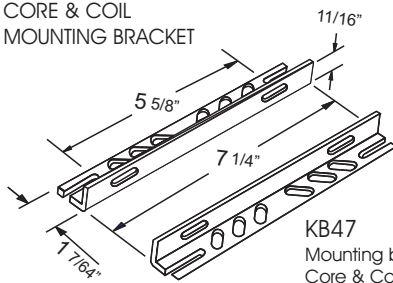
WIRING DIAGRAM



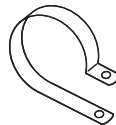
120/208/240/277/480 VOLT CONNECTION

BRACKET

CORE & COIL
MOUNTING BRACKET



KB47
Mounting bracket for
Core & Coil Ballasts
(2 brackets with thru bolts)



C-01
MOUNTING CLIP for round
case (Furnished as standard
with B suffix ballast)

Data is based upon tests performed by Industrias Sola Basic in a controlled environment and representative of relative performance. Actual Performance can vary depending on operating conditions. Specifications are subject to change without notice.



Certificate No. 006281



SOLA CANADA

LIGHTING & POWER

171 Ambassador Drive
Units 8 & 9
Mississauga, ON
L5T 2J1

Phone: 905-670-0746
Fax: 905-670-9689

www.solacanada.com