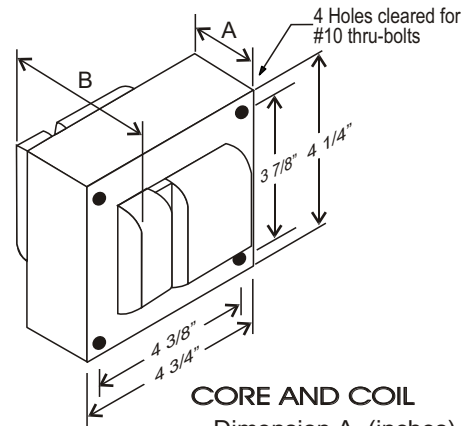


CATALOG NUMBER: E-971-DD-SO250 FOR ONE 250 WATT, S50 HIGH PRESSURE SODIUM LAMP

Line Voltage	480V
Regulation	
Line Volts	+/- 10%
Line Watts	WITHIN TRAPEZOID
Frequency	60 Hz
Circuit Type	CWA
Power Factor (min)	90%
Insulation Class	H(180°)
Min. Ambient Starting Temp.	-40° F or -40° C

Line Voltage (Volts)	480
Line Current (Amps)	
Operating	0.65
Open Circuit	0.42
Starting	0.45
Input Watts (W)	295
Open Circuit Voltage (V)	185
Drop Out Voltage (V)	360
UL(1029) Bench Top Rise	B
Recommended Fuse (Amps)	2
HIGH POTENTIAL TEST (VOLTS)	
1 Minute	2000
2 Seconds	2500
Open Circuit Voltage Test(volts)	175-210
Short-Circuit Current Test (Amps)	
Secondary Current	4.0 - 4.5
Input Current (Amps)	0.35 - 0.45

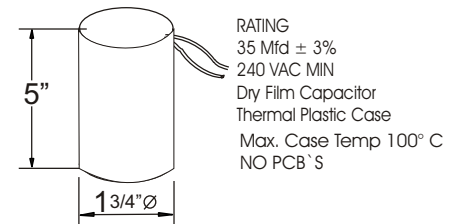
4 1/4" x 4 3/4" CORE



CORE AND COIL

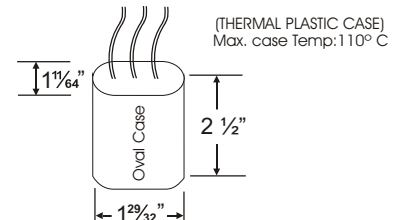
Dimension A (inches)	1.80
Dimension B (inches)	3.50
Weight (Lbs)	12.00
Lead Lengths (inches)	12

CAPACITOR



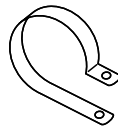
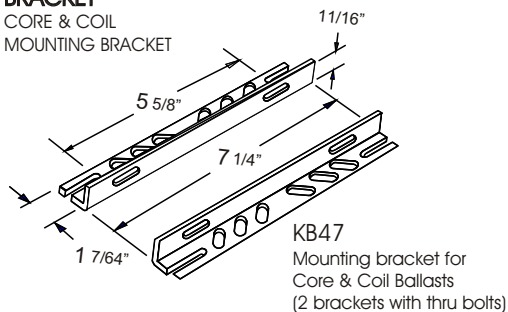
IGNITOR 37-63-AS-6.9-N6

Ballast to Lamp Distance (BTL): 2 feet



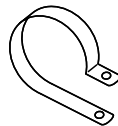
BRACKET

CORE & COIL
MOUNTING BRACKET



C-01

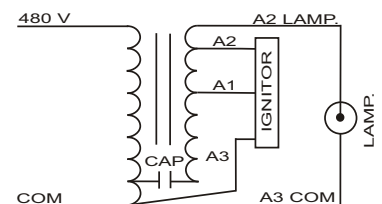
MOUNTING CLIP for round case (Furnished as standard with B suffix ballast)



I-01

MOUNTING CLIP for oval case (Furnished as standard with B suffix ballast)

WIRING DIAGRAM



480 VOLT CONNECTION

Data is based upon tests performed by Industrias Sola Basic in a controlled environment and representative of relative performance. Actual Performance can vary depending on operating conditions. Specifications are subject to change without notice.



Certificate No. 006281



Made in Mexico by Industrias Sola Basic S.A de C.V.

SOLA CANADA LIGHTING & POWER

171 Ambassador Drive
Units 8 & 9
Mississauga, ON
L5T 2J1

Phone: 905-670-0746
Fax: 905-670-9689

www.solacanada.com