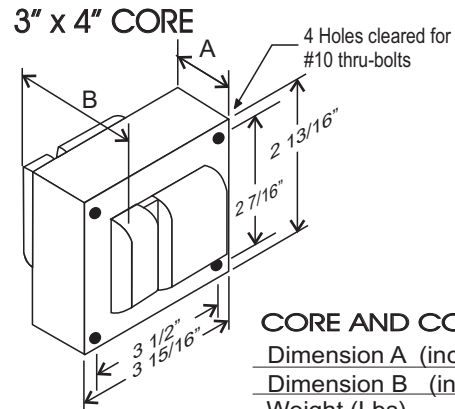


CATALOG NUMBER: E-971-FT-SO100 FOR ONE 100 WATT, S54 HIGH PRESSURE SODIUM LAMP

Line Voltage	120/277V
Regulation	
Line Volts	+/- 10%
Line Watts	WITHIN TRAPEZOID
Frequency	60 Hz
Circuit Type	CWA
Power Factor (min)	90%
Insulation Class	H(180°)
Min. Ambient Starting Temp.	-40° F or -40° C

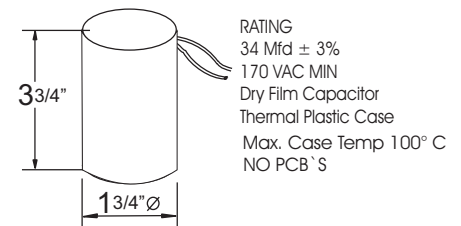
Line Voltage (Volts)	120	277
Line Current (Amps)		
Operating	1.20	0.50
Open Circuit	0.52	0.23
Starting	0.95	0.41
Input Watts (W)	134	134
Open Circuit Voltage (V)	115	115
Drop Out Voltage (V)	80	184
UL(1029) Bench Top Rise	E	D
Recommended Fuse (Amps)	3	2
HIGH POTENTIAL TEST (VOLTS)		
1Minute	2000	
2 Seconds	2500	
Open Circuit Voltage Test(volts)	105-125	
Short-Circuit Current Test (Amps)		
Secondary Current	2.8 - 3.2	
Input Current (Amps)	0.84 -	0.36 -
	0.92	0.40



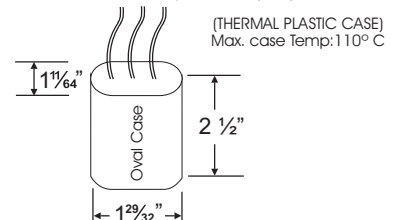
CORE AND COIL

Dimension A (inches)	2.00
Dimension B (inches)	3.30
Weight (Lbs)	7.10
Lead Lengths (inches)	12

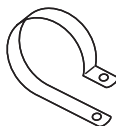
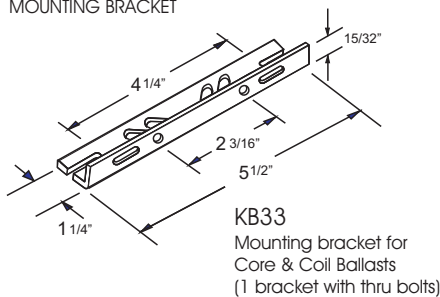
CAPACITOR



IGNITOR 37-63-AS-9.1-N7
Ballast to Lamp Distance (BTL): 2 feet



BRACKET
CORE & COIL
MOUNTING BRACKET

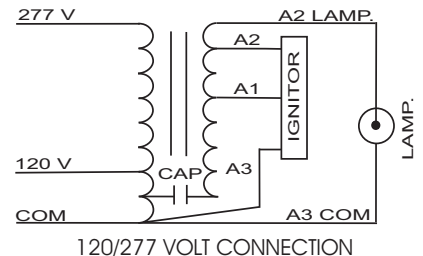


C-01
MOUNTING CLIP for round case (Furnished as standard with B suffix ballast)



I-01
MOUNTING CLIP for oval case (Furnished as standard with B suffix ballast)

WIRING DIAGRAM



Data is based upon tests performed by Industrias Sola Basic in a controlled environment and representative of relative performance. Actual Performance can vary depending on operating conditions. Specifications are subject to change without notice.



Certificate No. 006281



SOLA CANADA LIGHTING & POWER

171 Ambassador Drive
Units 8 & 9
Mississauga, ON
L5T 2J1

Phone: 905-670-0746
Fax: 905-670-9689

www.solacanada.com

Made in Mexico by Industrias Sola Basic S.A de C.V.