

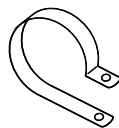
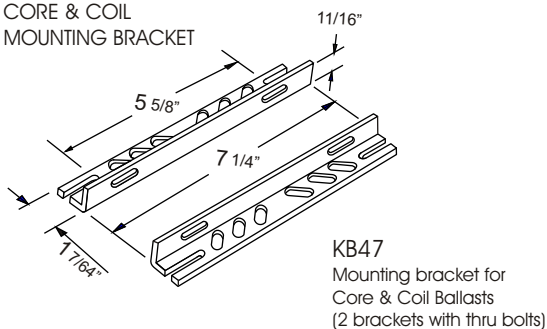
CATALOG NUMBER: EE-MCA00W251 FOR ONE 250 WATT, M138/M153 METAL HALIDE PULSE START LAMP

Line Voltage	120/208/240/277V
Regulation	
Line Volts	+/-10%
Lamp Watts	+/-10%
Frequency	60 Hz
Circuit Type	CWA
Power Factor (min)	90%
Insulation Class	H(180°)
Min. Ambient Starting Temp.	-20° F or -30° C

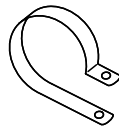
Line Voltage (Volts)	120	208	240	277
Line Current (Amps)				
Operating	2.40	1.40	1.20	1.05
Open Circuit	1.15	0.70	0.60	0.50
Starting	2.02	1.18	1.03	0.90
Input Watts (W)	283	283	283	283
Open Circuit Voltage (V)	245	245	245	245
Drop Out Voltage (V)	84	145	168	194
UL(1029) Bench Top Rise	A	A	A	A
Recommended Fuse (Amps)	8	4	4	3
HIGH POTENTIAL TEST (VOLTS)				
1Minute	2000			
2 Seconds	2500			
Open Circuit Voltage Test(volts)	220-270			
Short-Circuit Current Test (Amps)				
Secondary Current	2.6 - 3.0			
Input Current (Amps)	1.80 - 2.0	1.05 - 1.15	0.90 - 1.0	0.78 - 0.86

Coil Material : Primary Cu and secondary Cu

BRACKET CORE & COIL MOUNTING BRACKET

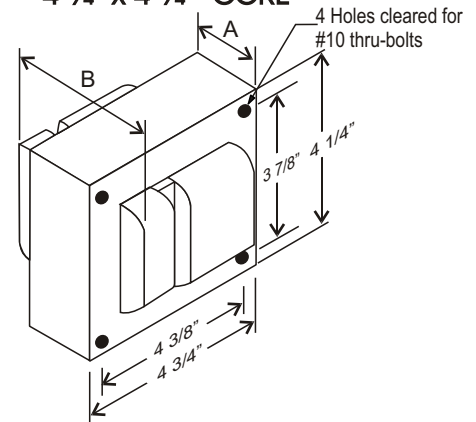


C-01
MOUNTING CLIP for round
case (Furnished as standard
with B suffix ballast)



I-01
MOUNTING CLIP for round
case (Furnished as standard
with B suffix ballast)

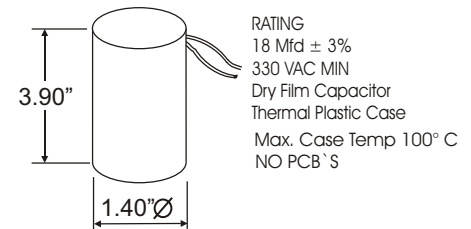
4 1/4" x 4 3/4" CORE



CORE AND COIL

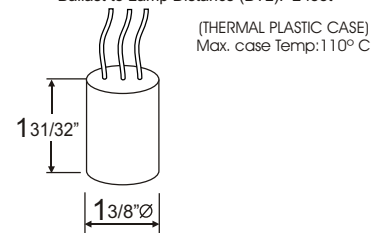
Dimension A (inches)	1.50
Dimension B (inches)	3.15
Weight (Lbs)	11.0
Lead Lengths (inches)	12

CAPACITOR

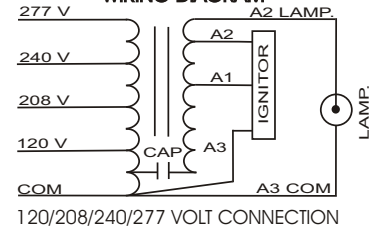


IGNITOR 37-63-AS-6.9-N7

Ballast to Lamp Distance (BTL): 2 feet



WIRING DIAGRAM



Data is based upon tests performed by Industrias Sola Basic in a controlled environment and representative of relative performance. Actual Performance can vary depending on operating conditions. Specifications are subject to change without notice.

EISA Compliant - 88% Efficient Ballast



SOLA CANADA LIGHTING & POWER

171 Ambassador Drive
Units 8 & 9
Mississauga, ON
L5T 2J1

Phone: 905-670-0746
Fax: 905-670-9689

www.solacanada.com