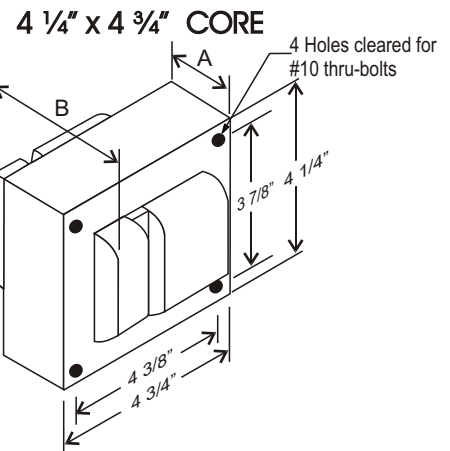


CATALOG NUMBER: EE-MCAFTJ251 FOR ONE 250 WATT, M138/M153 METAL HALIDE PULSE START LAMP

Line Voltage	120/277/347V
Regulation	
Line Volts	+/-10%
Lamp Watts	+/-10%
Frequency	60 Hz
Circuit Type	CWA
Power Factor (min)	90%
Insulation Class	H(180°)
Min. Ambient Starting Temp.	-20° F or -30° C

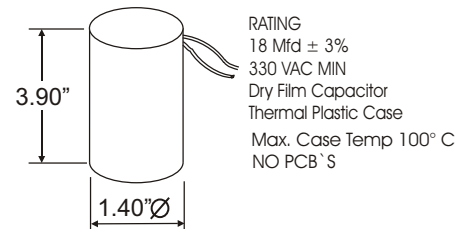
Line Voltage (Volts)	120	277	347
Line Current (Amps)			
Operating	2.40	1.05	0.83
Open Circuit	1.15	0.50	0.40
Starting	2.02	0.90	0.70
Input Watts (W)	283	283	283
Open Circuit Voltage (V)	245	245	245
Drop Out Voltage (V)	84	194	243
UL(1029) Bench Top Rise	A	A	A
Recommended Fuse (Amps)	8	3	3
HIGH POTENTIAL TEST (VOLTS)			
1Minute	2000		
2 Seconds	2500		
Open Circuit Voltage Test(volts)	220-270		
Short-Circuit Current Test (Amps)			
Secondary Current	2.6 - 3.0		
Input Current (Amps)	1.80 - 2.0	0.78 - 0.86	0.63 - 0.70

Coil Material : Primary Cu and secondary Cu



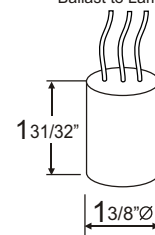
CORE AND COIL	
Dimension A (inches)	1.65
Dimension B (inches)	3.25
Weight (Lbs)	11.8
Lead Lengths (inches)	12

CAPACITOR

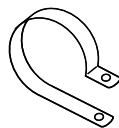
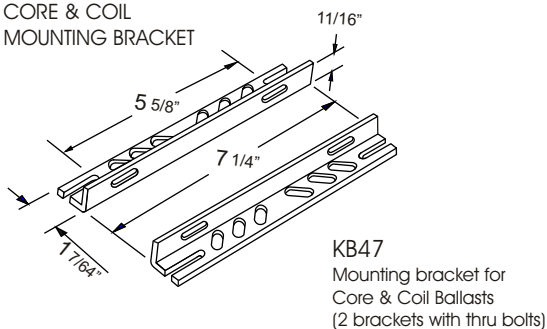


IGNITOR 37-63-AS-6.9-N7

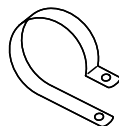
Ballast to Lamp Distance (BTL): 2 feet
(THERMAL PLASTIC CASE)
Max. case Temp: 110° C



BRACKET CORE & COIL MOUNTING BRACKET

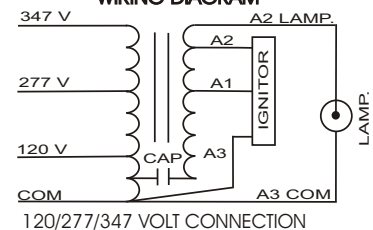


C-01
MOUNTING CLIP for round case (Furnished as standard with B suffix ballast)



I-01
MOUNTING CLIP for round case (Furnished as standard with B suffix ballast)

WIRING DIAGRAM



Data is based upon tests performed by Industrias Sola Basic in a controlled environment and representative of relative performance. Actual Performance can vary depending on operating conditions. Specifications are subject to change without notice.

EISA Compliant - 88% Efficient Ballast



SOLA CANADA
LIGHTING & POWER

171 Ambassador Drive
Units 8 & 9
Mississauga, ON
L5T 2J1

Phone: 905-670-0746
Fax: 905-670-9689

www.solacanada.com