

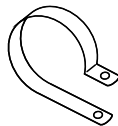
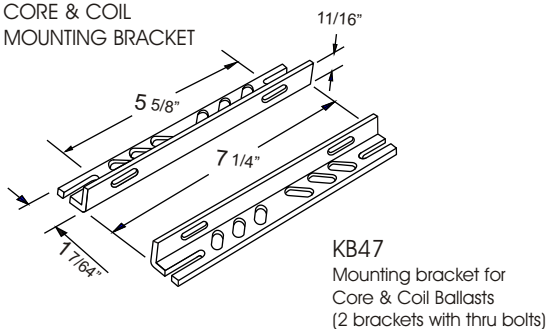
CATALOG NUMBER: EE-MMCA00W321 FOR ONE 320 WATT, M132/M154 METAL HALIDE PULSE START LAMP

Line Voltage	120/208/240/277V
Regulation	
Line Volts	+/-10%
Lamp Watts	+/-10%
Frequency	60 Hz
Circuit Type	CWA
Power Factor (min)	90%
Insulation Class	H(180°)
Min. Ambient Starting Temp.	-20° F or -30° C

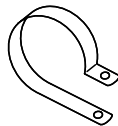
Line Voltage (Volts)	120	208	240	277
Line Current (Amps)				
Operating	3.10	1.85	1.60	1.40
Open Circuit	2.15	1.30	1.10	0.95
Starting	2.10	1.20	1.06	0.90
Input Watts (W)	361	361	361	361
Open Circuit Voltage (V)	245	245	245	245
Drop Out Voltage (V)	60	104	120	138
UL(1029) Bench Top Rise	B	B	B	B
Recommended Fuse (Amps)	8	5	4	4
HIGH POTENTIAL TEST (VOLTS)				
1Minute	2000			
2 Seconds	2500			
Open Circuit Voltage Test(volts)	220-270			
Short-Circuit Current Test (Amps)				
Secondary Current	3.45 - 4.0			
Input Current (Amps)				
	1.80 -	1.02 -	0.90 -	0.80 -
	2.10	1.21	1.05	0.92

Coil Material : Primary Cu and secondary Al

BRACKET CORE & COIL MOUNTING BRACKET

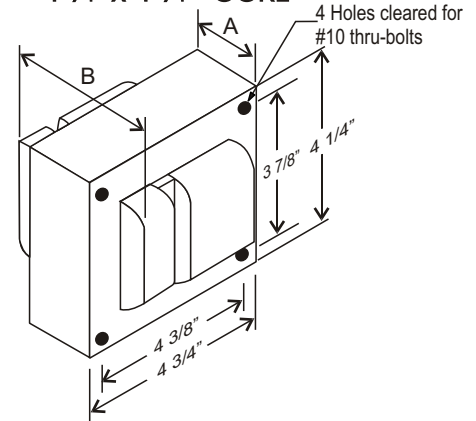


C-01
MOUNTING CLIP for round case (Furnished as standard with B suffix ballast)



I-01
MOUNTING CLIP for round case (Furnished as standard with B suffix ballast)

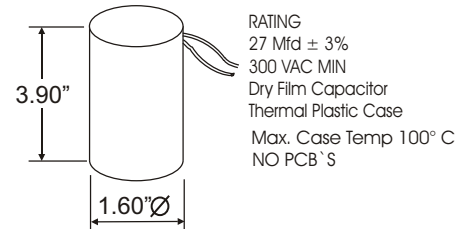
4 1/4" x 4 3/4" CORE



CORE AND COIL

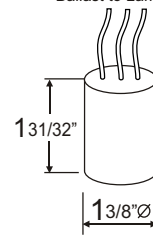
Dimension A (inches)	2.20
Dimension B (inches)	3.90
Weight (Lbs)	12.9
Lead Lengths (inches)	12

CAPACITOR

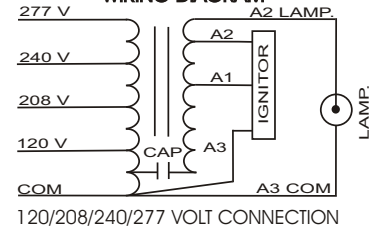


IGNITOR 37-63-AS-6.9-N7

Ballast to Lamp Distance (BTL): 2 feet
(THERMAL PLASTIC CASE)
Max. case Temp: 110° C



WIRING DIAGRAM



Data is based upon tests performed by Industrias Sola Basic in a controlled environment and representative of relative performance. Actual Performance can vary depending on operating conditions. Specifications are subject to change without notice.

EISA Compliant - 88% Efficient Ballast



Made in Mexico by Industrias Sola Basic S.A de C.V.

SOLA CANADA
LIGHTING & POWER

171 Ambassador Drive
Units 8 & 9
Mississauga, ON
L5T 2J1

Phone: 905-670-0746
Fax: 905-670-9689

www.solacanada.com