

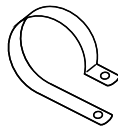
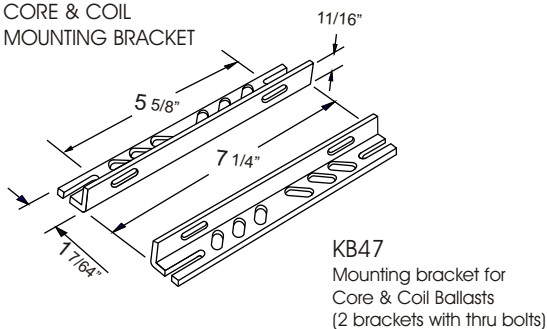
### CATALOG NUMBER: EE-MMCA00W401 FOR ONE 400 WATT, M135/M155 METAL HALIDE PULSE START LAMP

|                             |                  |
|-----------------------------|------------------|
| Line Voltage                | 120/208/240/277V |
| Regulation                  |                  |
| Line Volts                  | +/-10%           |
| Lamp Watts                  | +/-10%           |
| Frequency                   | 60 Hz            |
| Circuit Type                | CWA              |
| Power Factor (min)          | 90%              |
| Insulation Class            | H(180°)          |
| Min. Ambient Starting Temp. | -20° F or -30° C |

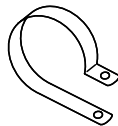
| Line Voltage (Volts)              | 120         | 208         | 240        | 277         |
|-----------------------------------|-------------|-------------|------------|-------------|
| Line Current (Amps)               |             |             |            |             |
| Operating                         | 3.80        | 2.20        | 1.90       | 1.65        |
| Open Circuit                      | 2.85        | 1.70        | 1.45       | 1.30        |
| Starting                          | 2.40        | 1.40        | 1.20       | 1.05        |
| Input Watts (W)                   | 452         | 452         | 452        | 452         |
| Open Circuit Voltage (V)          | 255         | 255         | 255        | 255         |
| Drop Out Voltage (V)              | 60          | 104         | 120        | 138         |
| UL(1029) Bench Top Rise           | D           | D           | C          | C           |
| Recommended Fuse (Amps)           | 10          | 7           | 5          | 5           |
| HIGH POTENTIAL TEST (VOLTS)       |             |             |            |             |
| 1Minute                           | 2000        |             |            |             |
| 2 Seconds                         | 2500        |             |            |             |
| Open Circuit Voltage Test(volts)  | 235-280     |             |            |             |
| Short-Circuit Current Test (Amps) |             |             |            |             |
| Secondary Current                 | 3.8 - 4.40  |             |            |             |
| Input Current (Amps)              | 1.95 - 2.35 | 1.15 - 1.40 | 1.0 - 1.20 | 0.85 - 1.03 |

Coil Material : Primary Cu and secondary Al

#### BRACKET CORE & COIL MOUNTING BRACKET

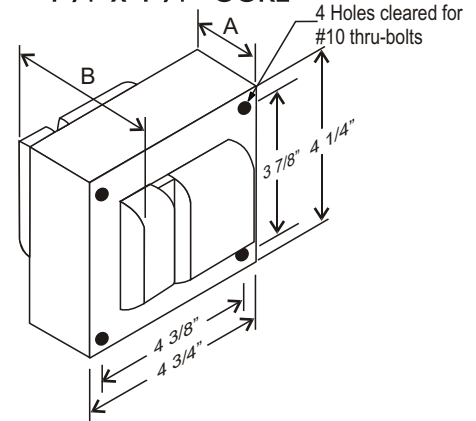


**C-01**  
MOUNTING CLIP for round case (Furnished as standard with B suffix ballast)



**I-01**  
MOUNTING CLIP for round case (Furnished as standard with B suffix ballast)

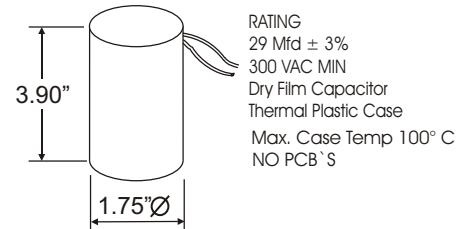
#### 4 1/4" x 4 3/4" CORE



#### CORE AND COIL

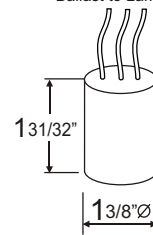
|                       |      |
|-----------------------|------|
| Dimension A (inches)  | 2.3  |
| Dimension B (inches)  | 4.0  |
| Weight (Lbs)          | 13.0 |
| Lead Lengths (inches) | 12   |

#### CAPACITOR

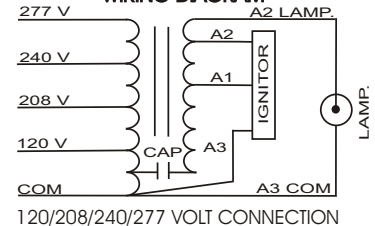


#### IGNITOR 37-63-AS-6.9-N7

Ballast to Lamp Distance (BTL): 2 feet  
(THERMAL PLASTIC CASE)  
Max. case Temp: 110° C



#### WIRING DIAGRAM



Data is based upon tests performed by Industrias Sola Basic in a controlled environment and representative of relative performance. Actual Performance can vary depending on operating conditions. Specifications are subject to change without notice.

**EISA Compliant - 88% Efficient Ballast**



Made in Mexico by Industrias Sola Basic S.A de C.V.

## SOLA CANADA LIGHTING & POWER

171 Ambassador Drive  
Units 8 & 9  
Mississauga, ON  
L5T 2J1

Phone: 905-670-0746  
Fax: 905-670-9689

www.solacanada.com