

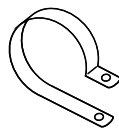
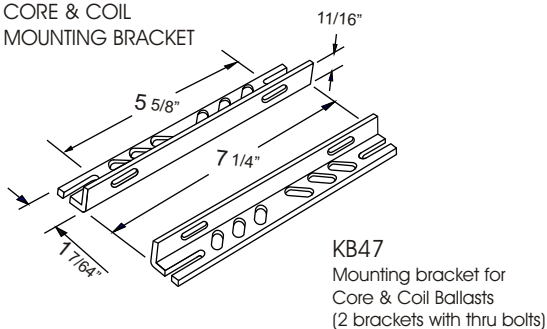
### CATALOG NUMBER: EE-MMCAFTJ351 FOR ONE 350 WATT, M131 METAL HALIDE PULSE START LAMP

Line Voltage	120/277/347V
Regulation	
Line Volts	+/-10%
Lamp Watts	+/-10%
Frequency	60 Hz
Circuit Type	CWA
Power Factor (min)	90%
Insulation Class	H(180°)
Min. Ambient Starting Temp.	-20° F or -30° C

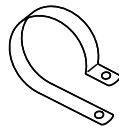
Line Voltage (Volts)	120	277	347
Line Current (Amps)			
Operating	3.40	1.50	1.20
Open Circuit	2.20	1.0	0.80
Starting	2.20	1.0	0.80
Input Watts (W)	396	396	396
Open Circuit Voltage (V)	245	245	245
Drop Out Voltage (V)	70	160	198
UL(1029) Bench Top Rise	D	C	C
Recommended Fuse (Amps)	9	4	3
HIGH POTENTIAL TEST (VOLTS)			
1Minute	2000		
2 Seconds	2500		
Open Circuit Voltage Test(volts)	220-270		
Short-Circuit Current Test (Amps)			
Secondary Current	3.6 - 4.1		
Input Current (Amps)	1.9 - 2.2	0.80 - 0.96	0.65 - 0.76

Coil Material : Primary Cu and secondary Al

#### BRACKET CORE & COIL MOUNTING BRACKET

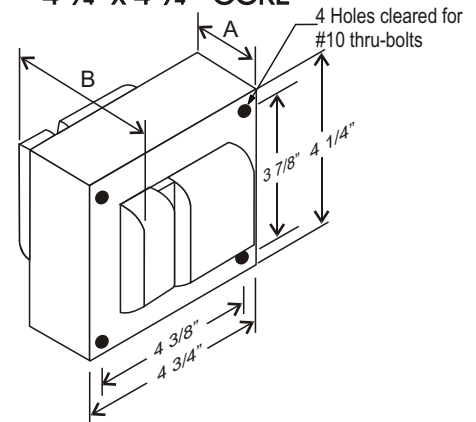


C-01  
MOUNTING CLIP for round  
case (Furnished as standard  
with B suffix ballast)



I-01  
MOUNTING CLIP for round  
case (Furnished as standard  
with B suffix ballast)

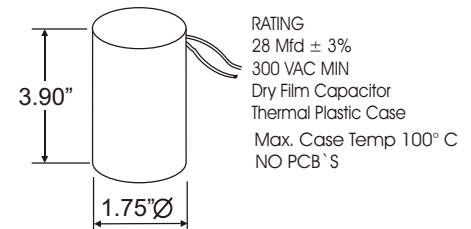
#### 4 1/4" x 4 3/4" CORE



#### CORE AND COIL

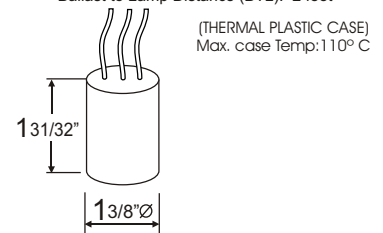
Dimension A (inches)	2.20
Dimension B (inches)	3.90
Weight (Lbs)	12.9
Lead Lengths (inches)	12

#### CAPACITOR

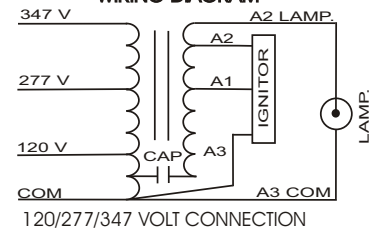


#### IGNITOR 37-63-AS-6.9-N7

Ballast to Lamp Distance (BTL): 2 feet



#### WIRING DIAGRAM



Data is based upon tests performed by Industrias Sola Basic in a controlled environment and representative of relative performance. Actual Performance can vary depending on operating conditions. Specifications are subject to change without notice.

EISA Compliant - 88% Efficient Ballast



## SOLA CANADA LIGHTING & POWER

171 Ambassador Drive  
Units 8 & 9  
Mississauga, ON  
L5T 2J1

Phone: 905-670-0746  
Fax: 905-670-9689

www.solacanada.com