

### CATALOG NUMBER: E-MCA00W1500 FOR ONE 1500 WATT, M48 METAL HALIDE LAMP

Line Voltage	120/208/240/277V
Regulation	
Line Volts	+/-10%
Line Watts	+/-10%
Frequency	60 Hz
Circuit Type	CWA
Power Factor (min)	90%
Insulation Class	H(180°)
Min. Ambient Starting Temp.	-20° F or -30° C

Line Voltage (Volts)	120	208	240	277
Line Current (Amps)				
Operating	13.5	7.8	6.75	5.85
Open Circuit	9.11	5.1	4.5	4.20
Starting	9.12	5.2	4.6	3.80
Input Watts (W)	1605	1605	1605	1605
Open Circuit Voltage (V)	435	435	435	435
Drop Out Voltage (V)	80	138	160	185
UL(1029) Bench Top Rise	G	D	D	E
Recommended Fuse (Amps)	40	25	20	20

#### HIGH POTENTIAL TEST (VOLTS)

1 Minute	2000
2 Seconds	2500

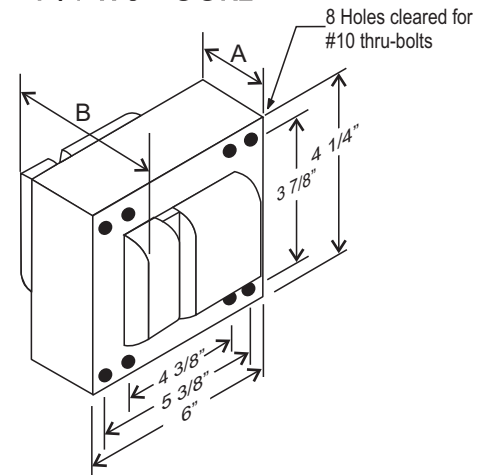
Open Circuit Voltage Test(volts) 400-490

Short-Circuit Current Test (Amps)

Secondary Current 7.2 - 8.6

Input Current (Amps)	7.5 -	4.25 -	3.5 -	3.0 -
	10.5	6.0	5.25	4.6

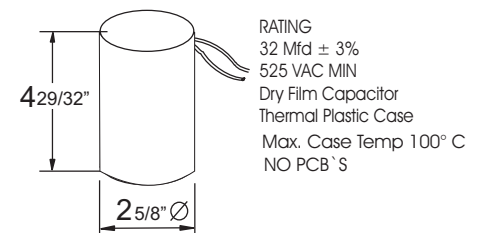
#### 4 1/4" x 6" CORE



#### CORE AND COIL

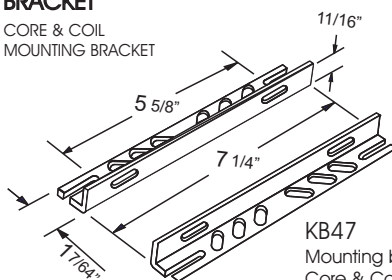
Dimension A (inches)	4.10
Dimension B (inches)	6.10
Weight (Lbs)	30.00
Lead Lengths (inches)	12

#### CAPACITOR

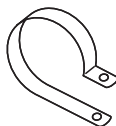


#### BRACKET

CORE & COIL  
MOUNTING BRACKET



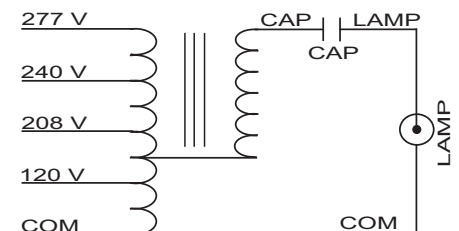
KB47  
Mounting bracket for  
Core & Coil Ballasts  
(2 brackets with thru bolts)



#### C-01

MOUNTING CLIP for round case (Furnished as standard with B suffix ballast)

#### WIRING DIAGRAM



120/208/240/277 VOLT CONNECTION

Data is based upon tests performed by Industrias Sola Basic in a controlled environment and representative of relative performance. Actual Performance can vary depending on operating conditions. Specifications are subject to change without notice.



Certificate No. 006281



## SOLA CANADA

### LIGHTING & POWER

171 Ambassador Drive  
Units 8 & 9  
Mississauga, ON  
L5T 2J1

Phone: 905-670-0746  
Fax: 905-670-9689

www.solacanada.com

Made in Mexico by Industrias Sola Basic S.A de C.V.