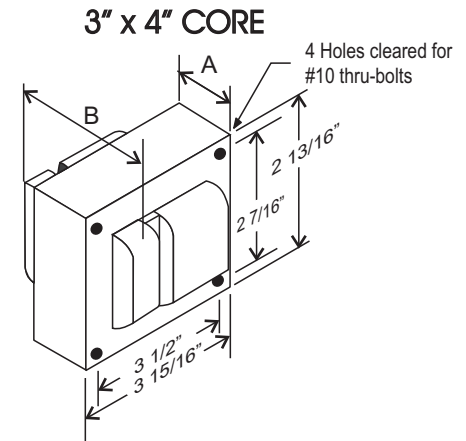


CATALOG NUMBER: E-MCA00W35 FOR ONE 35 WATT, M130 METAL HALIDE LAMP

Line Voltage	120/208/240/277V
Regulation	
Line Volts	+/-10%
Line Watts	+/- 10%
Frequency	60 Hz
Circuit Type	CWA
Power Factor (min)	90%
Insulation Class	H(180°)
Min. Ambient Starting Temp.	-20° F or -30° C

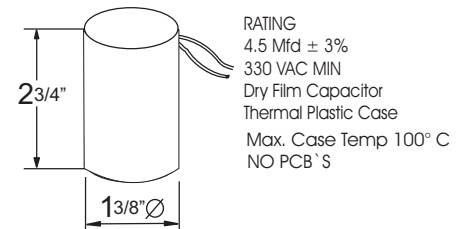
Line Voltage (Volts)	120	208	240	277
Line Current (Amps)				
Operating	0.50	0.29	0.25	0.22
Open Circuit	0.35	0.19	0.17	0.15
Starting	0.41	0.25	0.21	0.19
Input Watts (W)	58	58	58	58
Open Circuit Voltage (V)	215	215	215	215
Drop Out Voltage (V)	65	105	125	150
UL(1029) Bench Top Rise	A	A	A	A
Recommended Fuse (Amps)	2	2	1	1
HIGH POTENTIAL TEST (VOLTS)				
1Minute	2000			
2 Seconds	2500			
Open Circuit Voltage Test(volts)	198-235			
Short-Circuit Current Test (Amps)				
Secondary Current	0.6 - 0.7			
Input Current (Amps)	0.34 - 0.37	0.19 - 0.21	0.17 - 0.19	0.14 - 0.16



CORE AND COIL

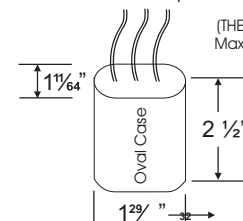
Dimension A (inches)	0.96
Dimension B (inches)	2.30
Weight (Lbs)	4.00
Lead Lengths (inches)	12

CAPACITOR



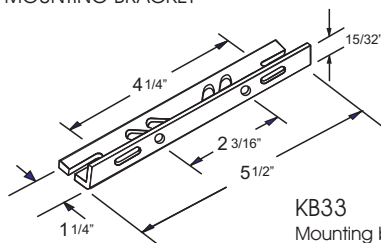
IGNITOR 356-AS-31-HC

Ballast to Lamp Distance (BTL): 5 feet
(THERMAL PLASTIC CASE)
Max. case Temp: 110° C



BRACKET

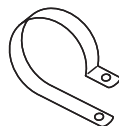
CORE & COIL
MOUNTING BRACKET



KB33
Mounting bracket for
Core & Coil Ballasts
(1 bracket with thru bolts)

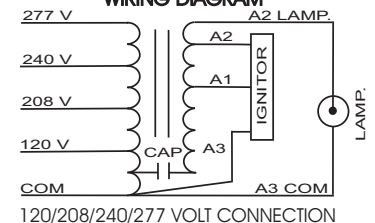


C-01
MOUNTING CLIP for round
case (Furnished as standard
with B suffix ballast)



I-01
MOUNTING CLIP for oval
case (Furnished as standard
with B suffix ballast)

WIRING DIAGRAM



Data is based upon tests performed by Industrias Sola Basic in a controlled environment and representative of relative performance. Actual Performance can vary depending on operating conditions. Specifications are subject to change without notice.



Certificate No. 006281



SOLA CANADA LIGHTING & POWER

171 Ambassador Drive
Units 8 & 9
Mississauga, ON
L5T 2J1

Phone: 905-670-0746
Fax: 905-670-9689

www.solacanada.com