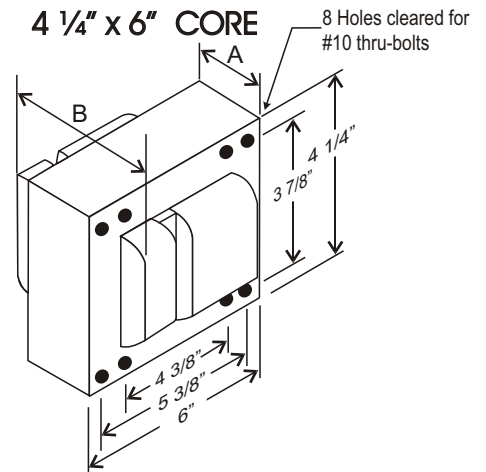


### CATALOG NUMBER: E-MCA00W4002S FOR TWO 400 WATT, M59 METAL HALIDE LAMP

Line Voltage	120/208/240/277V
Regulation	
Line Volts	+/-10%
Lamp Watts	+/-10%
Frequency	60 Hz
Circuit Type	CWA
Power Factor (min)	90%
Insulation Class	H(180°)
Min. Ambient Starting Temp.	-20° F or -30° C



#### CORE AND COIL

Dimension A (inches)	3.40
Dimension B (inches)	5.30
Weight (Lbs)	26.00
Lead Lengths (inches)	12

Line Voltage (Volts)	120	208	240	277
Line Current (Amps)				
Operating	7.9	4.5	3.95	3.4
Open Circuit	5.7	3.3	3.0	2.60
Starting	6.2	3.6	3.1	2.68
Input Watts (W)	880	880	880	880
Open Circuit Voltage (V)	630	630	630	630
Drop Out Voltage (V)	55	95	110	130
UL(1029) Bench Top Rise	E	D	D	D
Recommended Fuse (Amps)	20	10	10	8

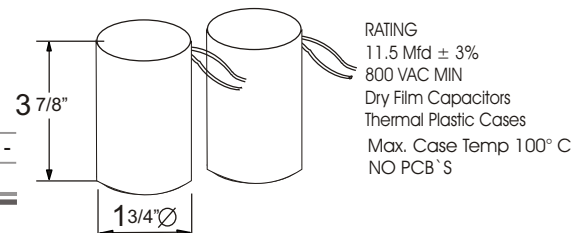
#### HIGH POTENTIAL TEST (VOLTS)

1 Minute	2000
2 Seconds	2500
Open Circuit Voltage Test (volts)	580-685

#### Short-Circuit Current Test (Amps)

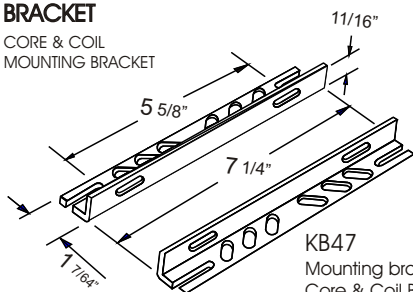
Secondary Current	3.6 - 4.3
Input Current (Amps)	4.85 - 6.8    2.85 - 3.95    2.40 - 3.45    2.10 - 3.0

#### 2 CAPACITOR SET

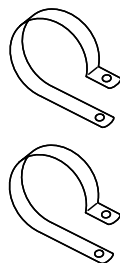


#### BRACKET

CORE & COIL  
MOUNTING BRACKET



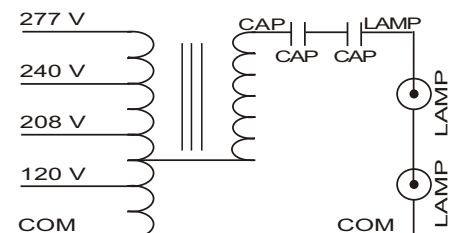
**KB47**  
Mounting bracket for  
Core & Coil Ballasts  
(2 brackets with thru bolts)



#### C-01

MOUNTING CLIP for round  
case (Furnished as standard  
with B suffix ballast)

#### WIRING DIAGRAM



120/208/240/277 VOLT CONNECTION

Data is based upon tests performed by Industrias Sola Basic in a controlled environment and representative of relative performance. Actual Performance can vary depending on operating conditions. Specifications are subject to change without notice.



**SOLA CANADA**  
**LIGHTING & POWER**

171 Ambassador Drive  
Units 8 & 9  
Mississauga, ON  
L5T 2J1

Phone: 905-670-0746  
Fax: 905-670-9689

www.solacanada.com

Made in Mexico by Industrias Sola Basic S.A de C.V.