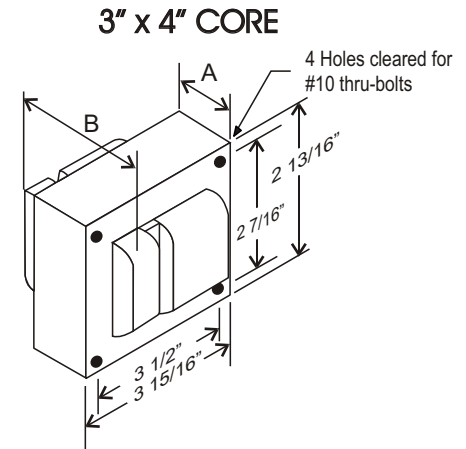


CATALOG NUMBER: E-MCA0DD250 FOR ONE 250 WATT, M58 METAL HALIDE LAMP

Line Voltage	480V
Regulation	
Line Volts	+/-10%
Line Watts	+/-10%
Frequency	60 Hz
Circuit Type	CWA
Power Factor (min)	90%
Insulation Class	H(180°)
Min. Ambient Starting Temp.	-20° F or -30° C

Line Voltage (Volts)	480
Line Current (Amps)	
Operating	0.63
Open Circuit	0.86
Starting	0.26
Input Watts (W)	294
Open Circuit Voltage (V)	300
Drop Out Voltage (V)	240
UL(1029) Bench Top Rise	E
Recommended Fuse (Amps)	2

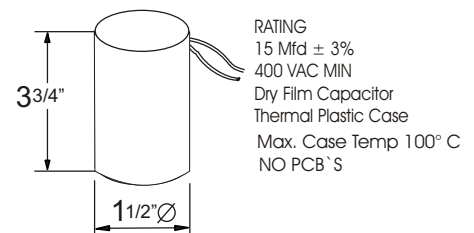
HIGH POTENTIAL TEST (VOLTS)	
1 Minute	2000
2 Seconds	2500
Open Circuit Voltage Test (volts)	270-330
Short-Circuit Current Test (Amps)	
Secondary Current	2.1 - 2.70
Input Current (Amps)	0.10 - 0.35



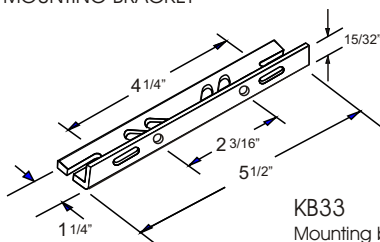
CORE AND COIL

Dimension A (inches)	3.00
Dimension B (inches)	4.20
Weight (Lbs)	10.00
Lead Lengths (inches)	12

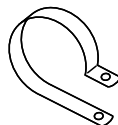
CAPACITOR



BRACKET CORE & COIL MOUNTING BRACKET

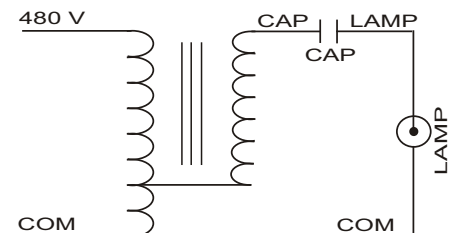


KB33
Mounting bracket for
Core & Coil Ballasts
(1 bracket with thru bolts)



C-01
MOUNTING CLIP for round
case (Furnished as standard
with B suffix ballast)

WIRING DIAGRAM



480 VOLT CONNECTION

Data is based upon tests performed by Industrias Sola Basic in a controlled environment and representative of relative performance. Actual Performance can vary depending on operating conditions. Specifications are subject to change without notice.



Certificate No. 006281



SOLA CANADA

LIGHTING & POWER

171 Ambassador Drive
Units 8 & 9
Mississauga, ON
L5T 2J1

Phone: 905-670-0746
Fax: 905-670-9689

www.solacanada.com

Made in Mexico by Industrias Sola Basic S.A de C.V.