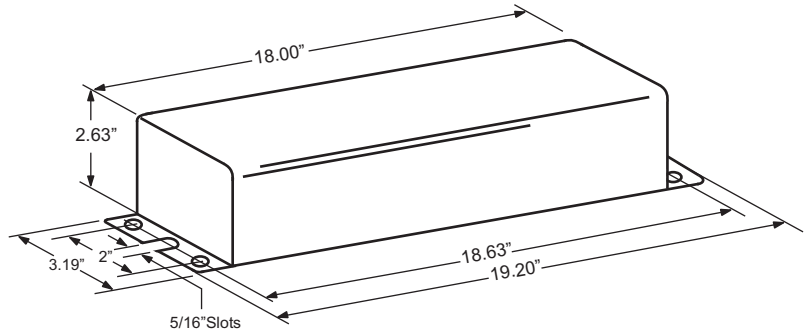


CATALOG NUMBER: E-MCA0FT400F FOR ONE 400 WATT, M59 METAL HALIDE LAMP

Line Voltage	120/277V
Regulation	
Line Volts	+/- 10%
Line Watts	+/-10%
Frequency	60 Hz
Circuit Type	CWA
Power Factor (min)	90%
Insulation Class	A(105°)
Min. Ambient Starting Temp.	-20° F or -30° C

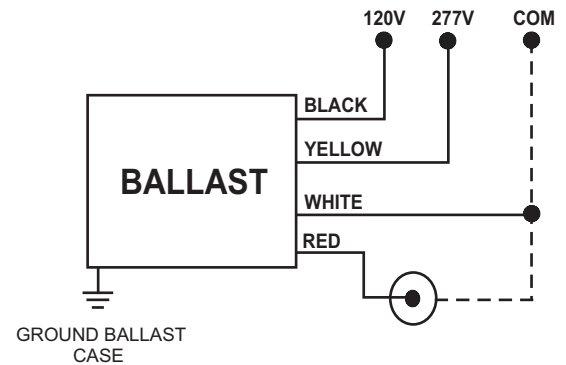


Line Voltage (Volts)	120	277
Line Current (Amps)		
Operating	3.90	1.70
Open Circuit	3.00	1.31
Starting	2.84	1.20
Input Watts (W)	460	460
Open Circuit Voltage (V)	300	300
Drop Out Voltage (V)	66	152
UL(1029) Bench Top Rise	A	A
Recommended Fuse (Amps)	10	5

Weight (Lbs)	22.50
Lead lengths (Inches)	12.00
Sound rating	C

HIGH POTENTIAL TEST (VOLTS)		
1Minute	2000	
2 Seconds	2500	
Open Circuit Voltage Test(volts)	270-330	
Short-Circuit Current Test (Amps)		
Secondary Current	3.30 - 4.0	
Input Current (Amps)	2.15 -	0.90 -
	3.15	1.35

WIRING DIAGRAM



120/277 VOLT CONNECTION

Data is based upon tests performed by Industrias Sola Basic in a controlled environment and representative of relative performance. Actual Performance can vary depending on operating conditions. Specifications are subject to change without notice.



Certificate No. 006281



Made in Mexico by Industrias Sola Basic S.A de C.V.

SOLA CANADA
LIGHTING & POWER

171 Ambassador Drive
Units 8 & 9
Mississauga, ON
L5T 2J1

Phone: 905-670-0746
Fax: 905-670-9689

www.solacanada.com