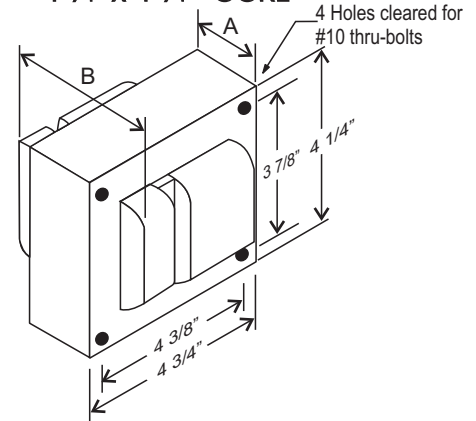


CATALOG NUMBER: E-MCAFTJ251 FOR ONE 250 WATT, M138/M153 METAL HALIDE PULSE START LAMP

Line Voltage	120/277/347V
Regulation	
Line Volts	+/-10%
Line Watts	+/- 10%
Frequency	60 Hz
Circuit Type	CWA
Power Factor (min)	90%
Insulation Class	H(180°)
Min. Ambient Starting Temp.	-20° F or -30° C

Line Voltage (Volts)	120	277	347
Line Current (Amps)			
Operating	2.50	1.10	0.90
Open Circuit	2.05	0.92	0.75
Starting	1.60	0.70	0.55
Input Watts (W)	288	288	288
Open Circuit Voltage (V)	290	290	290
Drop Out Voltage (V)	60	140	175
UL(1029) Bench Top Rise	A	A	A
Recommended Fuse (Amps)	8	3	3
HIGH POTENTIAL TEST (VOLTS)			
1Minute	2000		
2 Seconds	2500		
Open Circuit Voltage Test(volts)	265-320		
Short-Circuit Current Test (Amps)			
Secondary Current	2.3 - 2.7		
Input Current (Amps)	1.30 - 1.65	0.55 - 0.75	0.42 - 0.60

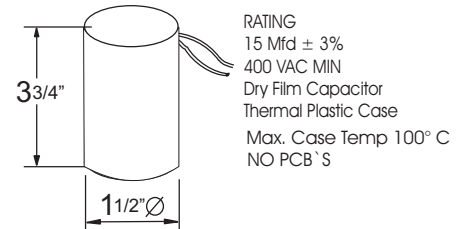
4 1/4" x 4 3/4" CORE



CORE AND COIL

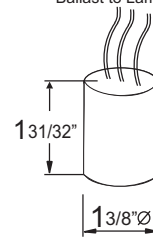
Dimension A (inches)	1.50
Dimension B (inches)	3.25
Weight (Lbs)	11.00
Lead Lengths (inches)	12

CAPACITOR



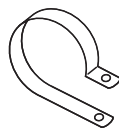
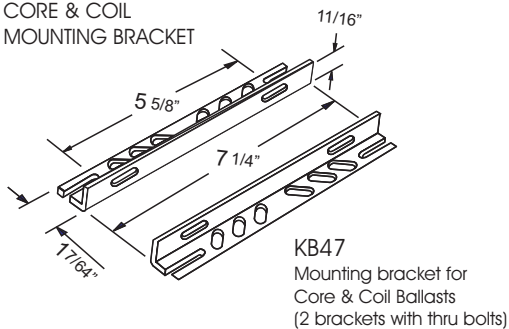
IGNITOR 37-63-AS-6.9-N7

Ballast to Lamp Distance (BTL): 2 feet
(THERMAL PLASTIC CASE)
Max. case Temp: 110° C

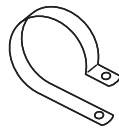


BRACKET

CORE & COIL
MOUNTING BRACKET

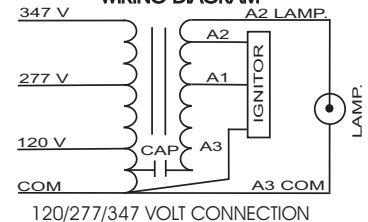


C-01
MOUNTING CLIP for round
case (Furnished as standard
with B suffix ballast)



I-01
MOUNTING CLIP for round
case (Furnished as standard
with B suffix ballast)

WIRING DIAGRAM



Data is based upon tests performed by Industrias Sola Basic in a controlled environment and representative of relative performance. Actual Performance can vary depending on operating conditions. Specifications are subject to change without notice.



Certificate No. 006281



SOLA CANADA LIGHTING & POWER

171 Ambassador Drive
Units 8 & 9
Mississauga, ON
L5T 2J1

Phone: 905-670-0746
Fax: 905-670-9689

www.solacanada.com