

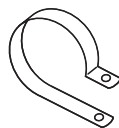
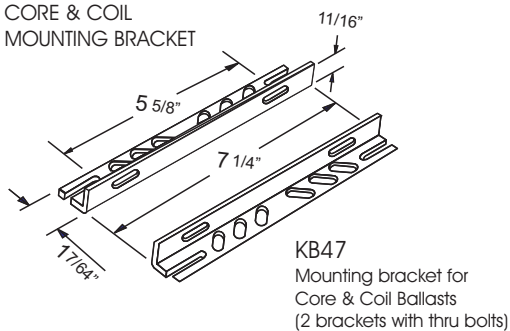
CATALOG NUMBER: E-MCAFTJ751 FOR ONE 750 WATT, M149 METAL HALIDE PULSE START LAMP

Line Voltage	120/277/347V
Regulation	
Line Volts	+/-10%
Line Watts	+/- 10%
Frequency	60 Hz
Circuit Type	CWA
Power Factor (min)	90%
Insulation Class	H(180°)
Min. Ambient Starting Temp.	-20° F or -30° C

Line Voltage (Volts)	120	277	347
Line Current (Amps)			
Operating	7.0	3.0	2.45
Open Circuit	6.00	2.60	2.00
Starting	4.80	2.10	1.65
Input Watts (W)	818	818	818
Open Circuit Voltage (V)	360	360	360
Drop Out Voltage (V)	60	138	175
UL(1029) Bench Top Rise	C	C	C
Recommended Fuse (Amps)	20	8	7

HIGH POTENTIAL TEST (VOLTS)	
1Minute	2000
2 Seconds	2500
Open Circuit Voltage Test(volts)	330-400
Short-Circuit Current Test (Amps)	
Secondary Current	4.4 - 5.3
Input Current (Amps)	3.75 - 1.55 - 1.25 - 5.20 2.25 1.80

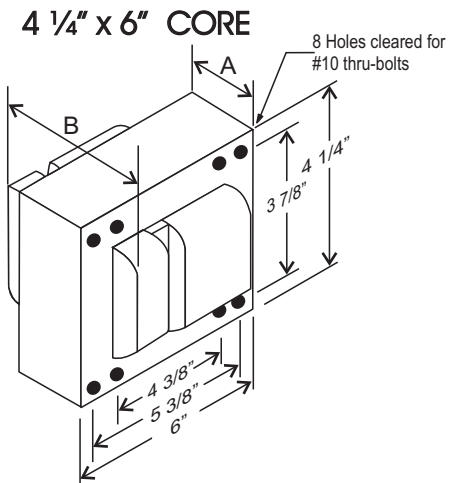
BRACKET CORE & COIL MOUNTING BRACKET



C-01
MOUNTING CLIP for round case (Furnished as standard with B suffix ballast)



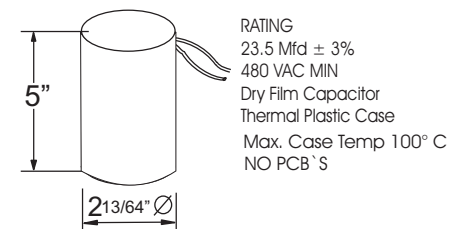
I-01
MOUNTING CLIP for oval case (Furnished as standard with B suffix ballast)



CORE AND COIL

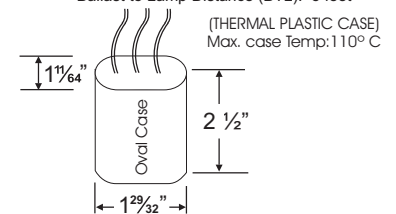
Dimension A (inches)	2.40
Dimension B (inches)	4.40
Weight (Lbs)	20.00
Lead Lengths (inches)	12

CAPACITOR

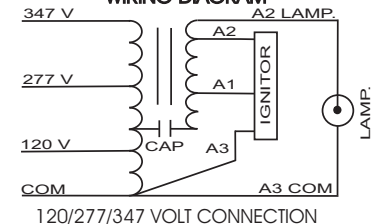


IGNITOR 356-AS-751-MH

Ballast to Lamp Distance (BTL): 5 feet



WIRING DIAGRAM



Data is based upon tests performed by Industrias Sola Basic in a controlled environment and representative of relative performance. Actual Performance can vary depending on operating conditions. Specifications are subject to change without notice.



Certificate No. 006281



SOLA CANADA LIGHTING & POWER

171 Ambassador Drive
Units 8 & 9
Mississauga, ON
L5T 2J1

Phone: 905-670-0746
Fax: 905-670-9689

www.solacanada.com