

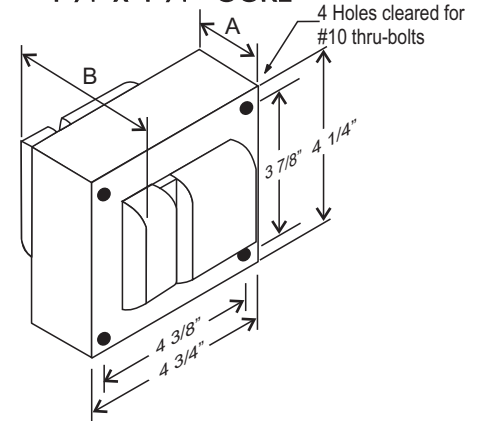
### CATALOG NUMBER: E-MCAWDD401 FOR ONE 400 WATT, M135/M155 METAL HALIDE PULSE START LAMP

Line Voltage	120/208/240/277/480 V
Regulation	
Line Volts	+/-10%
Line Watts	+/-10%
Frequency	60 Hz
Circuit Type	CWA
Power Factor (min)	90%
Insulation Class	H(180°)
Min. Ambient Starting Temp.	-20° F or -30° C

Line Voltage (Volts)	120	208	240	277	480
Line Current (Amps)					
Operating	3.80	2.20	1.90	1.70	1.00
Open Circuit	3.40	2.20	1.75	1.50	0.85
Starting	1.95	1.10	1.00	0.86	0.50
Input Watts (W)	452	452	452	452	452
Open Circuit Voltage (V)	275	275	275	275	275
Drop Out Voltage (V)	60	104	120	138	240
UL(1029) Bench Top Rise	B	B	B	B	B
Recommended Fuse (Amps)	10	7	5	5	3

HIGH POTENTIAL TEST (VOLTS)	
1Minute	2000
2 Seconds	2500
Open Circuit Voltage Test(volts)	254-310
Short-Circuit Current Test (Amps)	
Secondary Current	3.4 - 4.2
Input Current (Amps)	1.30 - 0.75 - 0.65 - 0.55 - 0.30 - 2.10 1.20 1.00 0.95 0.55

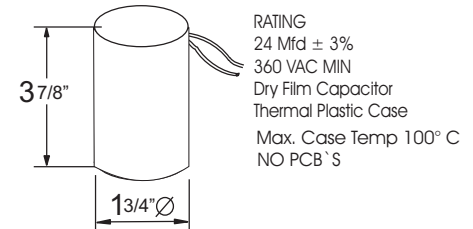
#### 4 1/4" x 4 3/4" CORE



#### CORE AND COIL

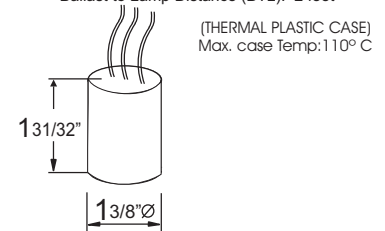
Dimension A (inches)	2.00
Dimension B (inches)	4.10
Weight (Lbs)	14.00
Lead Lengths (inches)	12

#### CAPACITOR

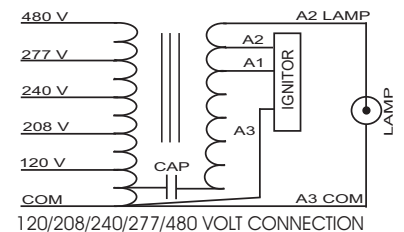


#### IGNITOR 37-63-AS-6.9-N7

Ballast to Lamp Distance (BTL): 2 feet

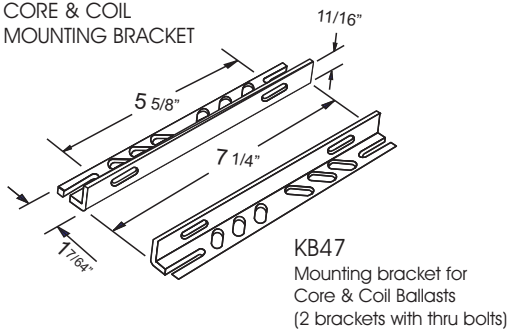


#### WIRING DIAGRAM



#### BRACKET

CORE & COIL  
MOUNTING BRACKET



C-01  
MOUNTING CLIP for round  
case (Furnished as standard  
with B suffix ballast)



I-01  
MOUNTING CLIP for round  
case (Furnished as standard  
with B suffix ballast)

Data is based upon tests performed by Industrias Sola Basic in a controlled environment and representative of relative performance. Actual Performance can vary depending on operating conditions. Specifications are subject to change without notice.



Certificate No. 006281



Made in Mexico by Industrias Sola Basic S.A de C.V.

## SOLA CANADA LIGHTING & POWER

171 Ambassador Drive  
Units 8 & 9  
Mississauga, ON  
L5T 2J1

Phone: 905-670-0746  
Fax: 905-670-9689

www.solacanada.com