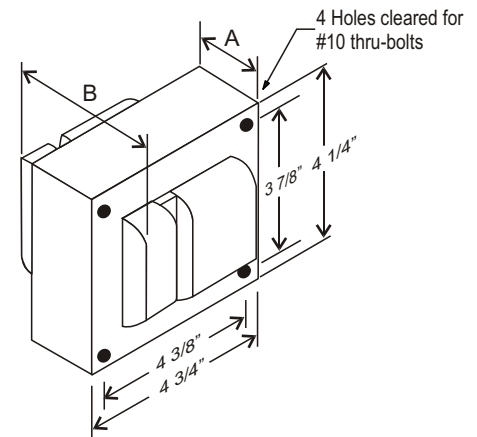


CATALOG NUMBER: E-MIAFRM2502S FOR TWO 250 WATT, M58 METAL HALIDE LAMP

Line Voltage	120/208/240V
Regulation	
Line Volts	+/-10%
Lamp Watts	+/-10%
Frequency	60 Hz
Circuit Type	CWI
Power Factor (min)	90%
Insulation Class	H(180°)
Min. Ambient Starting Temp.	-20° F or -30° C

4 1/4" x 4 3/4" CORE



CORE AND COIL

Dimension A (inches)	3.68
Dimension B (inches)	5.40
Weight (Lbs)	22.5
Lead Lengths (inches)	12

Line Voltage (Volts)	120	208	240
Line Current (Amps)			
Operating	5.0	2.88	2.5
Open Circuit	4.3	2.60	2.2
Starting	1.7	1.0	0.88
Input Watts (W)	580	580	580
Open Circuit Voltage (V)	620	620	620
Drop Out Voltage (V)	60	105	125
UL(1029) Bench Top Rise	G	F	F
Recommended Fuse (Amps)	15	10	8

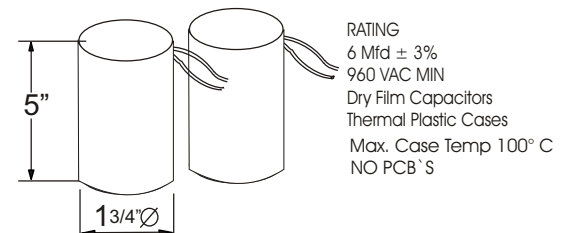
HIGH POTENTIAL TEST (VOLTS)

1 Minute	2000
2 Seconds	2500
Open Circuit Voltage Test (volts)	570-650

Short-Circuit Current Test (Amps)

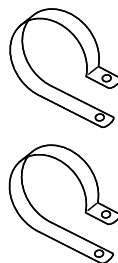
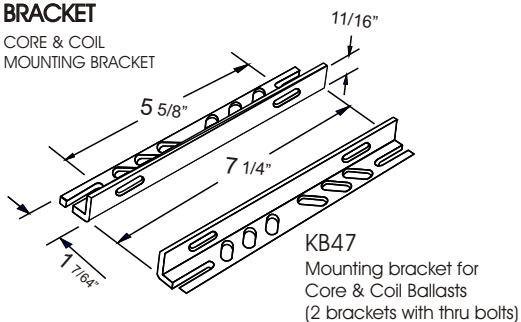
Secondary Current	2.3 - 2.6		
Input Current (Amps)	0.86 - 1.65	0.46 - 0.93	0.42 - 0.82

2 CAPACITOR SET



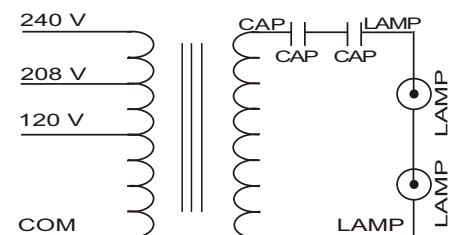
BRACKET

CORE & COIL
MOUNTING BRACKET



C-01
MOUNTING CLIP for round case (Furnished as standard with B suffix ballast)

WIRING DIAGRAM



120/208/240 VOLT CONNECTION

Data is based upon tests performed by Industrias Sola Basic in a controlled environment and representative of relative performance. Actual Performance can vary depending on operating conditions. Specifications are subject to change without notice.



SOLA CANADA

LIGHTING & POWER

171 Ambassador Drive
Units 8 & 9
Mississauga, ON
L5T 2J1

Phone: 905-670-0746
Fax: 905-670-9689

www.solacanada.com

Made in Mexico by Industrias Sola Basic S.A de C.V.