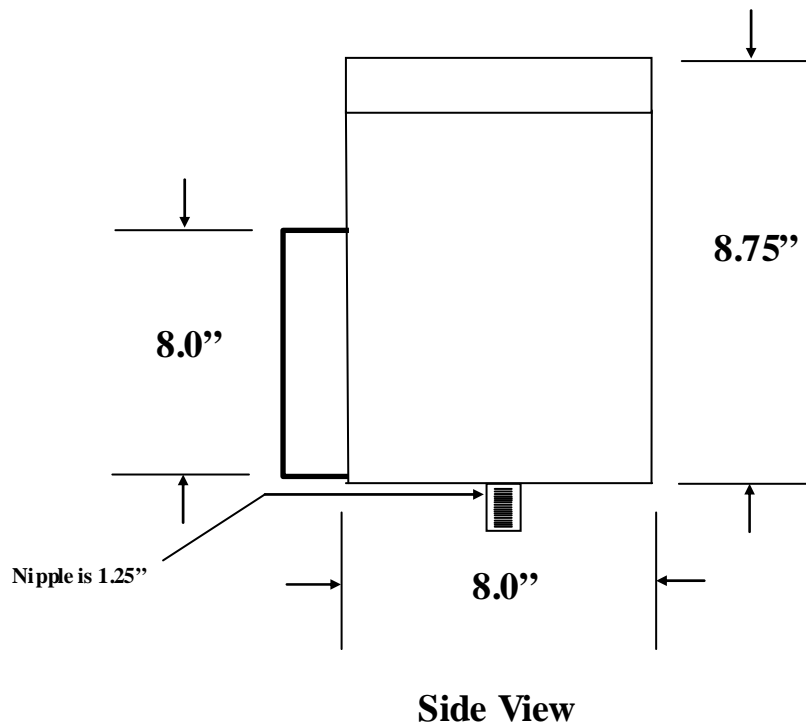


**Technical Data Sheet for HID Indoor Enclosed Ballasts**

**SOLA Canada**  
**Outdoor Weatherproof Enclosed Ballast**  
**Dimensional Data**  
**Model #: EMIAJDDZ400-OD1**  
**For 400W M59/H33 Metal Halide Lamps**



**SOLA Canada**  
**Outdoor Weatherproof Enclosed Ballast**  
**Dimensional Data**  
**Model #: EMIAJDDZ400-OD1**  
**For 400W M59/H33 Metal Halide Lamps**

Line Voltage (Volts)	347	480	600
Line Current (Amps)			
Operating	1.40	1.03	0.82
Open Circuit	1.40	1.03	0.82
Starting	0.40	0.30	0.23
Input Watts (W)	462	462	462
Open Circuit Voltage (V)	300	300	300
Drop Out Voltage (V)	190	260	315
UL(1029) Bench Top Rise	D	D	C
Recommended Fuse (Amps)	4	3	3
<b>HIGH POTENTIAL TEST (VOLTS)</b>			
1Minute	2000		
2 Seconds	2500		
Open Circuit Voltage Test(volts)	280-330		
<b>Short-Circuit Current Test (Amps)</b>			
Secondary Current	3.5 - 4.0		
Input Current (Amps)	0.19 - 0.33	0.14 - 0.23	0.12 - 0.19



**Wiring Diagram**

