

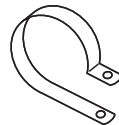
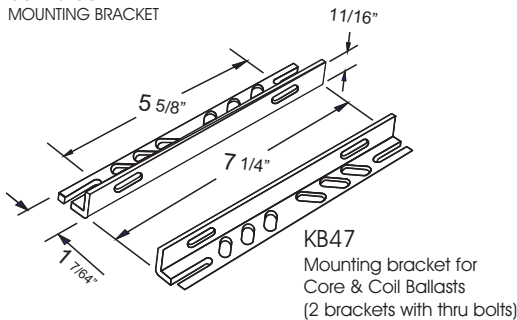
CATALOG NUMBER: E-MIAJDDZ400 FOR ONE 400 WATT, M59 METAL HALIDE LAMP

Line Voltage	347/480/600V
Regulation	
Line Volts	+/-10%
Lamp Watts	+/-10%
Frequency	60 Hz
Circuit Type	CWI
Power Factor (min)	90%
Insulation Class	H(180°)
Min. Ambient Starting Temp.	-20° F or -30° C

Line Voltage (Volts)	347	480	600
Line Current (Amps)			
Operating	1.40	1.03	0.82
Open Circuit	1.40	1.03	0.82
Starting	0.40	0.30	0.23
Input Watts (W)	462	462	462
Open Circuit Voltage (V)	300	300	300
Drop Out Voltage (V)	190	260	315
UL(1029) Bench Top Rise	D	D	C
Recommended Fuse (Amps)	4	3	3

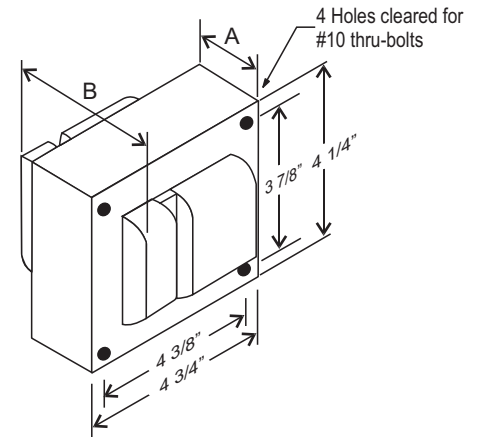
HIGH POTENTIAL TEST (VOLTS)			
1 Minute	2000		
2 Seconds	2500		
Open Circuit Voltage Test(volts)	280-330		
Short-Circuit Current Test (Amps)			
Secondary Current	3.5 - 4.0		
Input Current (Amps)		0.19 -	0.14 -
		0.33	0.23
			0.12 -
			0.19

BRACKET CORE & COIL MOUNTING BRACKET



C-01
MOUNTING CLIP for round case (Furnished as standard with B suffix ballast)

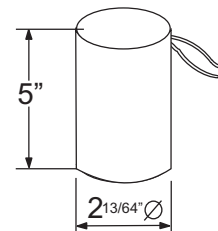
4 1/4" X 4 3/4" CORE



CORE AND COIL

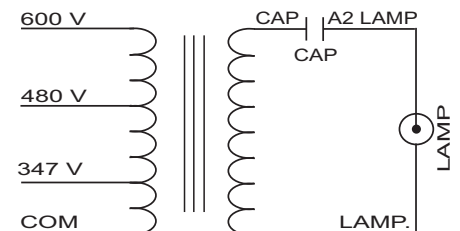
Dimension A (inches)	3.00
Dimension B (inches)	4.80
Weight (Lbs)	18.0
Lead Lengths (inches)	12

CAPACITOR



RATING
20 Mfd ± 3%
440 VAC MIN
Dry Film Capacitor
Thermal Plastic Case
Max. Case Temp 100° C
NO PCB'S

WIRING DIAGRAM



347/480/600 VOLT CONNECTION

Data is based upon tests performed by Industrias Sola Basic in a controlled environment and representative of relative performance. Actual Performance can vary depending on operating conditions. Specifications are subject to change without notice.

ISO 9001:2000



SOLA CANADA

LIGHTING & POWER

171 Ambassador Drive
Units 8 & 9
Mississauga, ON
L5T 2J1

Phone: 905-670-0746
Fax: 905-670-9689

www.solacanada.com

Made in Mexico by Industrias Sola Basic S.A de C.V.