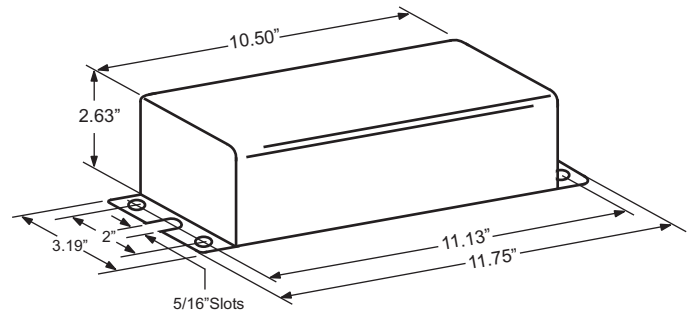


### CATALOG NUMBER: E-MZA0FJ39F FOR ONE 35 WATT, M130 METAL HALIDE LAMP

Line Voltage	120/347V
Regulation	
Line Volts	+/- 5%
Line Watts	+/-10%
Frequency	60 Hz
Circuit Type	HX-HPF
Power Factor (min)	90%
Insulation Class	A(105°)
Min. Ambient Starting Temp.	-20° F or -30° C

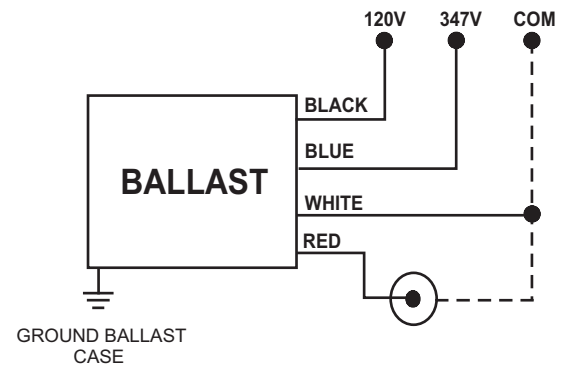


Line Voltage (Volts)	120	347
Line Current (Amps)		
Operating	0.46	0.16
Open Circuit	1.02	0.70
Starting	0.35	0.25
Input Watts (W)	54	54
Open Circuit Voltage (V)	235	235
Drop Out Voltage (V)	90	260
UL(1029) Bench Top Rise	A	A
Recommended Fuse (Amps)	3	1

Weight (Lbs)	9.00
Lead lengths (Inches)	12.00
Sound rating	A

HIGH POTENTIAL TEST (VOLTS)		
1 Minute	2000	
2 Seconds	2500	
Open Circuit Voltage Test(volts)	210-270	
Short-Circuit Current Test (Amps)		
Secondary Current	0.55 - 0.70	
	0.25 -	0.08 -
Input Current (Amps)	0.31	0.11

#### WIRING DIAGRAM



120/347 VOLT CONNECTION

#### IGNITOR: IN CAN

The ignitor is included as part of the potted assembly. Ballast to Lamp distance (BTL)= 15 feet. Temp. Rating: 90° C

Data is based upon tests performed by Industrias Sola Basic in a controlled environment and representative of relative performance. Actual Performance can vary depending on operating conditions. Specifications are subject to change without notice.



Certificate No. 006281



## SOLA CANADA

### LIGHTING & POWER

171 Ambassador Drive  
Units 8 & 9  
Mississauga, ON  
L5T 2J1

Phone: 905-670-0746  
Fax: 905-670-9689

www.solacanada.com

Made in Mexico by Industrias Sola Basic S.A de C.V.