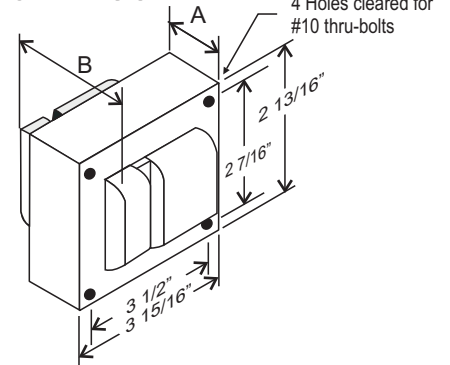


### CATALOG NUMBER: E-MZA0FT100 FOR ONE 100 WATT, M90 METAL HALIDE LAMP

Line Voltage	120/277V
Regulation	
Line Volts	+/- 5%
Line Watts	+/-10%
Frequency	60 Hz
Circuit Type	HX-HPF
Power Factor (min)	90%
Insulation Class	H(180°)
Min. Ambient Starting Temp.	-20° F or -30° C

Line Voltage (Volts)	120	277
Line Current (Amps)		
Operating	1.16	0.50
Open Circuit	2.16	0.95
Starting	1.60	0.47
Input Watts (W)	130	130
Open Circuit Voltage (V)	250	250
Drop Out Voltage (V)	90	208
UL(1029) Bench Top Rise	B	A
Recommended Fuse (Amps)	5	3
HIGH POTENTIAL TEST (VOLTS)		
1 Minute	2000	
2 Seconds	2500	
Open Circuit Voltage Test(volts)	230-285	
Short-Circuit Current Test (Amps)		
Secondary Current	1.25 - 1.50	
Input Current (Amps)	0.80 - 1.30	0.35 - 0.55

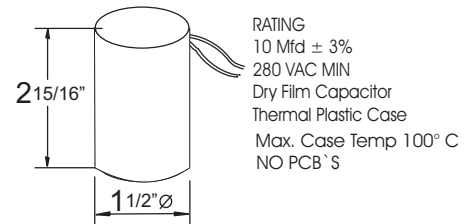
#### 3" x 4" CORE



#### CORE AND COIL

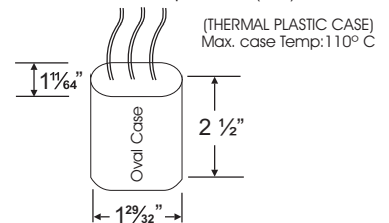
Dimension A (inches)	1.70
Dimension B (inches)	3.00
Weight (Lbs)	6.00
Lead Lengths (inches)	12

#### CAPACITOR

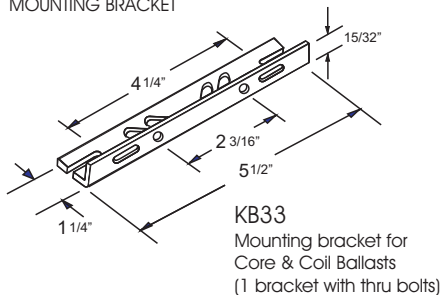


#### IGNITOR 356-AS-100-MH

Ballast to Lamp Distance (BTL): 5 feet



#### BRACKET CORE & COIL MOUNTING BRACKET

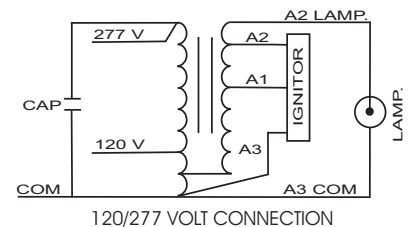


C-01  
MOUNTING CLIP for round case (Furnished as standard with B suffix ballast)



I-01  
MOUNTING CLIP for oval case (Furnished as standard with B suffix ballast)

#### WIRING DIAGRAM



Data is based upon tests performed by Industrias Sola Basic in a controlled environment and representative of relative performance. Actual Performance can vary depending on operating conditions. Specifications are subject to change without notice.



Certificate No. 006281



Made in Mexico by Industrias Sola Basic S.A de C.V.

## SOLA CANADA

### LIGHTING & POWER

171 Ambassador Drive  
Units 8 & 9  
Mississauga, ON  
L5T 2J1

Phone: 905-670-0746  
Fax: 905-670-9689

www.solacanada.com