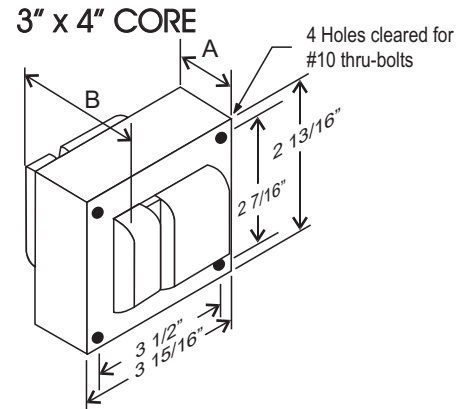


### CATALOG NUMBER: E-MZAFTJ50 FOR ONE 50 WATT, M110 METAL HALIDE LAMP

Line Voltage	120/277/347V
Regulation	
Line Volts	+/- 5%
Lamp Watts	+/-10%
Frequency	60 Hz
Circuit Type	HX-HPF
Power Factor (min)	90%
Insulation Class	H(180°)
Min. Ambient Starting Temp.	-20° F or -30° C

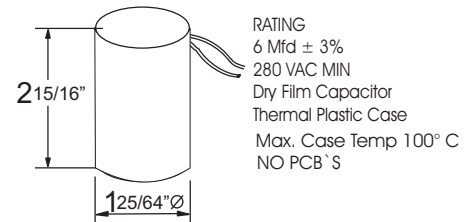
Line Voltage (Volts)	120	277	347
Line Current (Amps)			
Operating	0.60	0.25	0.21
Open Circuit	1.30	0.56	0.45
Starting	0.56	0.25	0.20
Input Watts (W)	67	67	67
Open Circuit Voltage (V)	250	250	250
Drop Out Voltage (V)	90	208	260
UL(1029) Bench Top Rise	B	A	A
Recommended Fuse (Amps)	3	2	2
<b>HIGH POTENTIAL TEST (VOLTS)</b>			
1 Minute	2000		
2 Seconds	2500		
Open Circuit Voltage Test(volts)	240-265		
<b>Short-Circuit Current Test (Amps)</b>			
Secondary Current	0.72 - 0.87		
Input Current (Amps)	0.38 - 0.60	0.16 - 0.25	0.13 - 0.20



#### CORE AND COIL

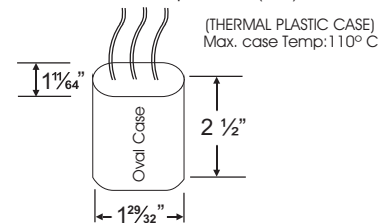
Dimension A (inches)	1.050
Dimension B (inches)	2.40
Weight (Lbs)	4.10
Lead Lengths (inches)	12

#### CAPACITOR

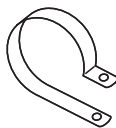
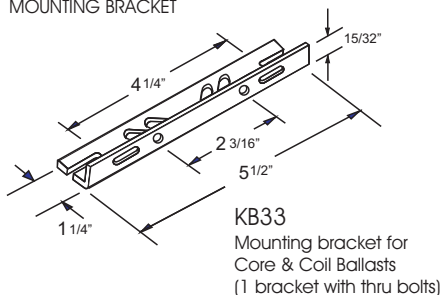


#### IGNITOR 356-AS-100-MH

Ballast to Lamp Distance (BTL): 5 feet



#### BRACKET CORE & COIL MOUNTING BRACKET

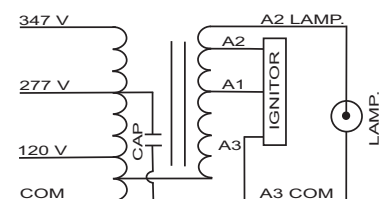


**C-01**  
MOUNTING CLIP for round case (Furnished as standard with B suffix ballast)



**I-01**  
MOUNTING CLIP for oval case (Furnished as standard with B suffix ballast)

#### WIRING DIAGRAM



120/277/347 VOLT CONNECTION

Data is based upon tests performed by Industrias Sola Basic in a controlled environment and representative of relative performance. Actual Performance can vary depending on operating conditions. Specifications are subject to change without notice.

ISO 9001:2000



## SOLA CANADA

### LIGHTING & POWER

171 Ambassador Drive  
Units 8 & 9  
Mississauga, ON  
L5T 2J1

Phone: 905-670-0746  
Fax: 905-670-9689

www.solacanada.com