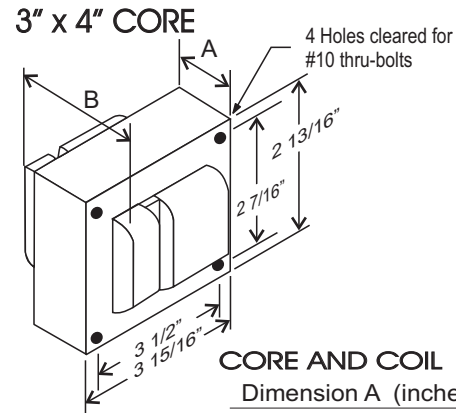


### CATALOG NUMBER: E-MZAFTJ70 FOR ONE 70 WATT, M98 METAL HALIDE LAMP

Line Voltage	120/277/347V
Regulation	
Line Volts	+/- 5%
Line Watts	+/- 10%
Frequency	60 Hz
Circuit Type	HX-HPF
Power Factor (min)	90%
Insulation Class	H(180°)
Min. Ambient Starting Temp.	-20° F or -30° C

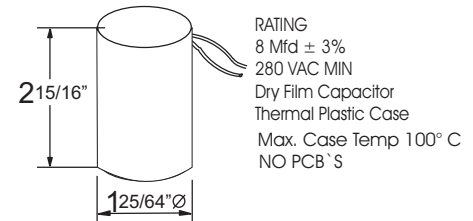
Line Voltage (Volts)	120	277	347
Line Current (Amps)			
Operating	0.85	0.37	0.30
Open Circuit	1.70	0.72	0.57
Starting	0.95	0.42	0.33
Input Watts (W)	95	95	95
Open Circuit Voltage (V)	250	250	250
Drop Out Voltage (V)	90	208	260
UL(1029) Bench Top Rise	A	A	A
Recommended Fuse (Amps)	4	2	2
HIGH POTENTIAL TEST (VOLTS)			
1 Minute	2000		
2 Seconds	2500		
Open Circuit Voltage Test(volts)	240-265		
Short-Circuit Current Test (Amps)			
Secondary Current	1.0 - 1.25		
Input Current (Amps)	0.70 - 1.20	0.29 - 0.52	0.23 - 0.41



#### CORE AND COIL

Dimension A (inches)	1.45
Dimension B (inches)	2.90
Weight (Lbs)	5.70
Lead Lengths (inches)	12

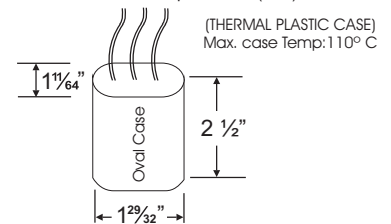
#### CAPACITOR



RATING  
8 Mfd ± 3%  
280 VAC MIN  
Dry Film Capacitor  
Thermal Plastic Case  
Max. Case Temp 100° C  
NO PCB'S

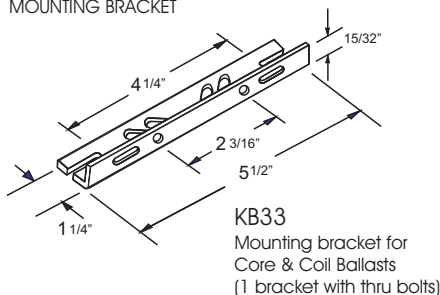
#### IGNITOR 356-AS-100-MH

Ballast to Lamp Distance (BTL): 5 feet

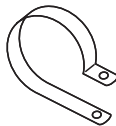


(THERMAL PLASTIC CASE)  
Max. case Temp: 110° C

#### BRACKET CORE & COIL MOUNTING BRACKET



KB33  
Mounting bracket for  
Core & Coil Ballasts  
(1 bracket with thru bolts)

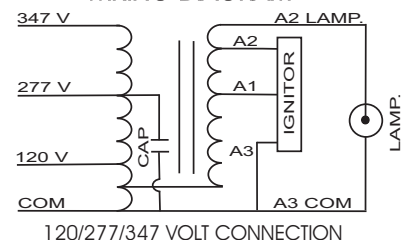


C-01  
MOUNTING CLIP for round  
case (Furnished as standard  
with B suffix ballast)



I-01  
MOUNTING CLIP for oval  
case (Furnished as standard  
with B suffix ballast)

#### WIRING DIAGRAM



Data is based upon tests performed by Industrias Sola Basic in a controlled environment and representative of relative performance. Actual Performance can vary depending on operating conditions. Specifications are subject to change without notice.



Certificate No. 006281



Made in Mexico by Industrias Sola Basic S.A de C.V.

## SOLA CANADA LIGHTING & POWER

171 Ambassador Drive  
Units 8 & 9  
Mississauga, ON  
L5T 2J1

Phone: 905-670-0746  
Fax: 905-670-9689

www.solacanada.com