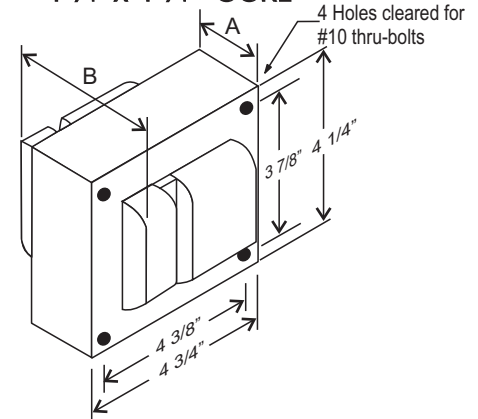


CATALOG NUMBER: E-SCA00W310 FOR ONE 310 WATT, S67 HIGH PRESSURE SODIUM LAMP

Line Voltage	120/208/240/277V
Regulation	
Line Volts	+/-10%
Line Watts	WITHIN TRAPEZOID
Frequency	60 Hz
Circuit Type	CWA
Power Factor (min)	90%
Insulation Class	H(180°)
Min. Ambient Starting Temp.	-40° F or -40° C

Line Voltage (Volts)	120	208	240	277
Line Current (Amps)				
Operating	3.0	1.73	1.50	1.30
Open Circuit	2.30	1.26	1.13	0.98
Starting	1.86	1.10	0.94	0.82
Input Watts (W)	355	355	355	355
Open Circuit Voltage (V)	185	185	185	185
Drop Out Voltage (V)	90	155	180	210
UL(1029) Bench Top Rise	C	B	B	B
Recommended Fuse (Amps)	8	5	5	5
HIGH POTENTIAL TEST (VOLTS)				
1Minute	2000			
2 Seconds	2500			
Open Circuit Voltage Test(volts)	170-205			
Short-Circuit Current Test (Amps)				
Secondary Current	4.5 - 5.4			
Input Current (Amps)	1.50 - 1.95	0.85 - 1.10	0.70 - 1.00	0.62 - 0.85

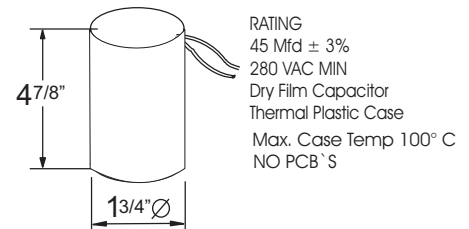
4 1/4" x 4 3/4" CORE



CORE AND COIL

Dimension A (inches)	2.20
Dimension B (inches)	4.00
Weight (Lbs)	13.70
Lead Lengths (inches)	12

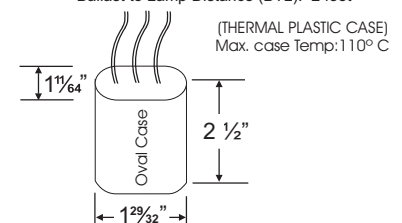
CAPACITOR



RATING
45 Mfd ± 3%
280 VAC MIN
Dry Film Capacitor
Thermal Plastic Case
Max. Case Temp 100° C
NO PCB'S

IGNITOR 37-63-AS-6.9-N6

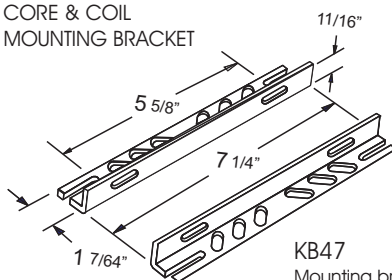
Ballast to Lamp Distance (BTL): 2 feet



(THERMAL PLASTIC CASE)
Max. case Temp: 110° C

BRACKET

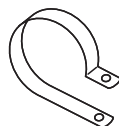
CORE & COIL
MOUNTING BRACKET



KB47
Mounting bracket for
Core & Coil Ballasts
(2 brackets with thru bolts)

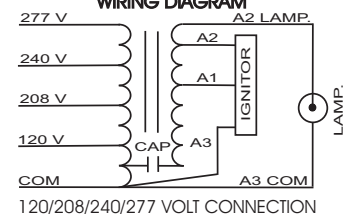


C-01
MOUNTING CLIP for round
case (Furnished as standard
with B suffix ballast)



I-01
MOUNTING CLIP for oval
case (Furnished as standard
with B suffix ballast)

WIRING DIAGRAM



Data is based upon tests performed by Industrias Sola Basic in a controlled environment and representative of relative performance. Actual Performance can vary depending on operating conditions. Specifications are subject to change without notice.



Certificate No. 006281



SOLA CANADA LIGHTING & POWER

171 Ambassador Drive
Units 8 & 9
Mississauga, ON
L5T 2J1

Phone: 905-670-0746
Fax: 905-670-9689

www.solacanada.com