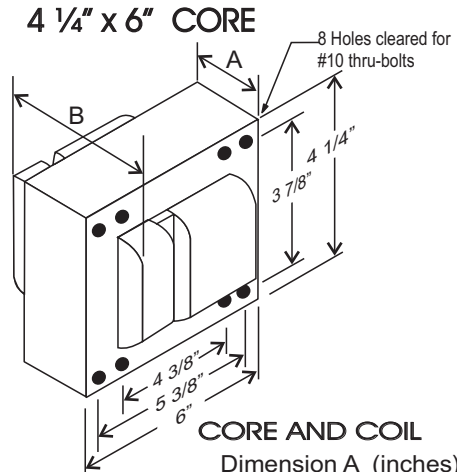


CATALOG NUMBER: E-SCA0DD750 FOR ONE 750 WATT, S111 HIGH PRESSURE SODIUM LAMP

Line Voltage	480V
Regulation	
Line Volts	+/- 10%
Line Watts	WITHIN TRAPEZOID
Frequency	60 Hz
Circuit Type	CWA
Power Factor (min)	90%
Insulation Class	H(180°)
Min. Ambient Starting Temp.	-40° F or -40° C

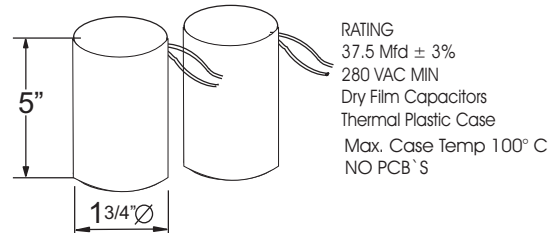
Line Voltage (Volts)	480
Line Current (Amps)	
Operating	1.75
Open Circuit	1.05
Starting	1.45
Input Watts (W)	830
Open Circuit Voltage (V)	220
Drop Out Voltage (V)	270
UL(1029) Bench Top Rise	A
Recommended Fuse (Amps)	5
HIGH POTENTIAL TEST (VOLTS)	
1 Minute	2000
2 Seconds	2500
Open Circuit Voltage Test(volts)	200-245
Short-Circuit Current Test (Amps)	
Secondary Current	9.0 - 10.5
Input Current (Amps)	1.05 - 1.40



CORE AND COIL

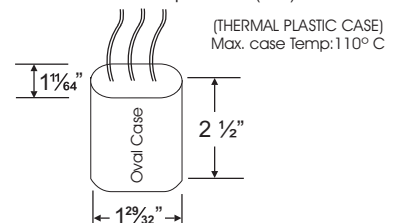
Dimension A (inches)	3.20
Dimension B (inches)	5.20
Weight (Lbs)	25.00
Lead Lengths (inches)	12

2 CAPACITOR SET

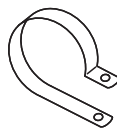
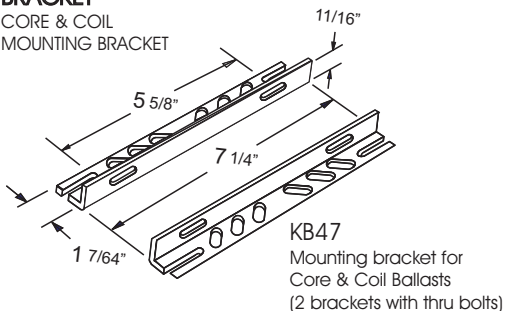


IGNITOR 356-AS-7.9

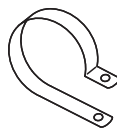
Ballast to Lamp Distance (BTL): 5 feet



BRACKET CORE & COIL MOUNTING BRACKET

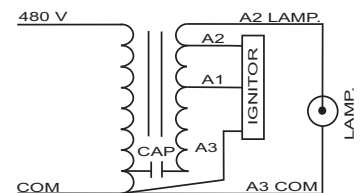


C-01
MOUNTING CLIP for round case (Furnished as standard with B suffix ballast)



I-01
MOUNTING CLIP for oval case (Furnished as standard with B suffix ballast)

WIRING DIAGRAM



480 VOLT CONNECTION

Data is based upon tests performed by Industrias Sola Basic in a controlled environment and representative of relative performance. Actual Performance can vary depending on operating conditions. Specifications are subject to change without notice.



Certificate No. 006281



SOLA CANADA

LIGHTING & POWER

171 Ambassador Drive
Units 8 & 9
Mississauga, ON
L5T 2J1

Phone: 905-670-0746
Fax: 905-670-9689

www.solacanada.com