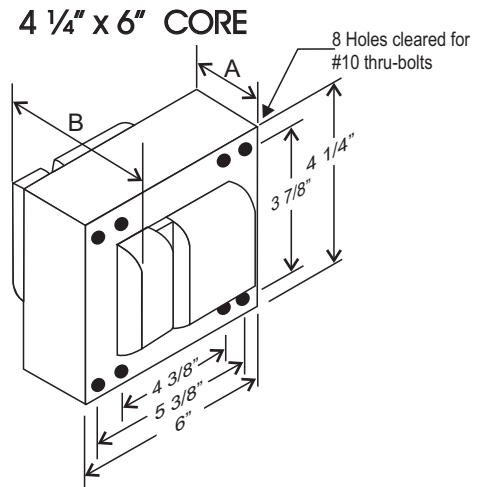


CATALOG NUMBER: E-SCAFRM600 FOR ONE 600 WATT, S106 HIGH PRESSURE SODIUM LAMP

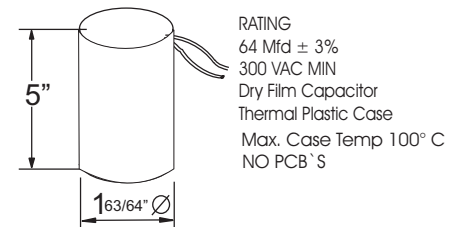
Line Voltage	120/208/240V
Regulation	
Line Volts	+/-10%
Line Watts	WITHIN TRAPEZOID
Frequency	60 Hz
Circuit Type	CWA
Power Factor (min)	90%
Insulation Class	H(180°)
Min. Ambient Starting Temp.	-40° F or -40° C

Line Voltage (Volts)	120	208	240
Line Current (Amps)			
Operating	5.50	3.30	2.90
Open Circuit	4.52	2.61	2.28
Starting	4.58	2.65	2.30
Input Watts (W)	670	670	670
Open Circuit Voltage (V)	220	220	220
Drop Out Voltage (V)	60	105	120
UL(1029) Bench Top Rise	A	A	A
Recommended Fuse (Amps)	15	9	8
HIGH POTENTIAL TEST (VOLTS)			
1Minute	2000		
2 Seconds	2500		
Open Circuit Voltage Test(volts)	200-240		
Short-Circuit Current Test (Amps)			
Secondary Current	7.5 - 8.7		
Input Current (Amps)	2.27 - 3.97	1.32 - 2.30	1.15 - 2.00



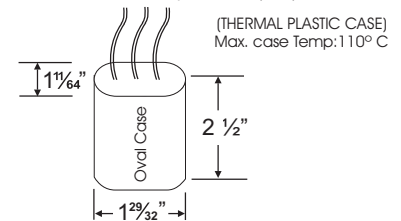
CORE AND COIL	
Dimension A (inches)	3.20
Dimension B (inches)	5.40
Weight (Lbs)	25.00
Lead Lengths (inches)	12

CAPACITOR

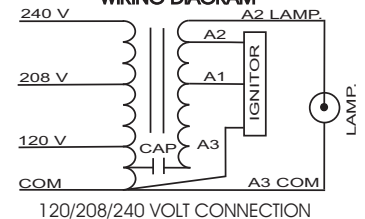


IGNITOR 356-AS-7.9

Ballast to Lamp Distance (BTL): 5 feet

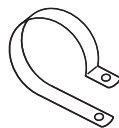
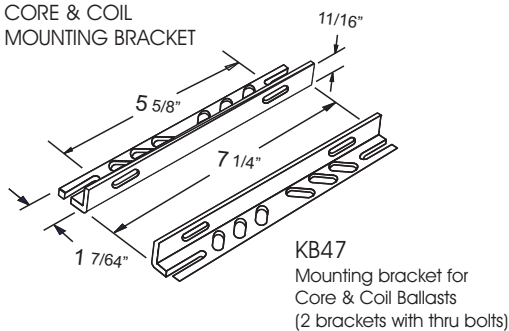


WIRING DIAGRAM



BRACKET

CORE & COIL
MOUNTING BRACKET



C-01
MOUNTING CLIP for round case (Furnished as standard with B suffix ballast)



I-01
MOUNTING CLIP for oval case (Furnished as standard with B suffix ballast)

Data is based upon tests performed by Industrias Sola Basic in a controlled environment and representative of relative performance. Actual Performance can vary depending on operating conditions. Specifications are subject to change without notice.



Certificate No. 006281



Made in Mexico by Industrias Sola Basic S.A de C.V.

SOLA CANADA LIGHTING & POWER

171 Ambassador Drive
Units 8 & 9
Mississauga, ON
L5T 2J1

Phone: 905-670-0746
Fax: 905-670-9689

www.solacanada.com