

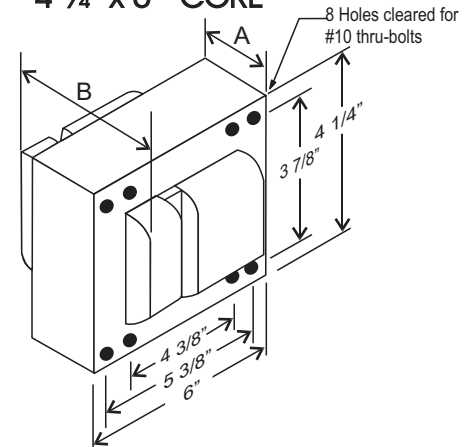
CATALOG NUMBER: E-SCAFRM750 FOR ONE 750 WATT, S111 HIGH PRESSURE SODIUM LAMP

Line Voltage	120/208/240V
Regulation	
Line Volts	+/-10%
Lamp Watts	WITHIN TRAPEZOID
Frequency	60 Hz
Circuit Type	CWA
Power Factor (min)	90%
Insulation Class	H(180°)
Min. Ambient Starting Temp.	-40° F or -40° C

Line Voltage (Volts)	120	208	240
Line Current (Amps)			
Operating	6.8	4.0	3.5
Open Circuit	4.60	2.55	2.25
Starting	5.50	3.20	2.75
Input Watts (W)	800	800	800
Open Circuit Voltage (V)	220	220	220
Drop Out Voltage (V)	70	115	135
UL(1029) Bench Top Rise	B	A	B
Recommended Fuse (Amps)	20	10	10

HIGH POTENTIAL TEST (VOLTS)			
1Minute	2000		
2 Seconds	2500		
Open Circuit Voltage Test(volts)	200-245		
Short-Circuit Current Test (Amps)			
Secondary Current	9.0 - 10.5		
Input Current (Amps)			
	4.0 -	2.25 -	1.95 -
	5.5	3.10	2.70

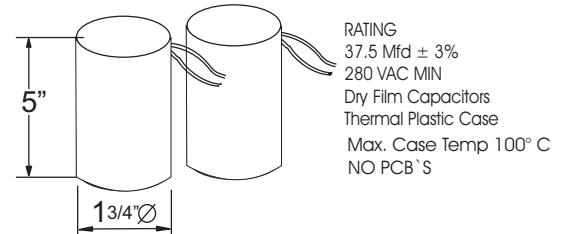
4 1/4" x 6" CORE



CORE AND COIL

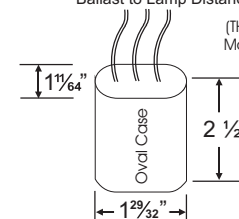
Dimension A (inches)	3.20
Dimension B (inches)	5.20
Weight (Lbs)	25.0
Lead Lengths (inches)	12

2 CAPACITOR SET



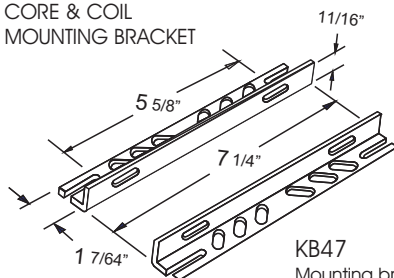
IGNITOR 356-AS-7.9

Ballast to Lamp Distance (BTL): 5 feet
(THERMAL PLASTIC CASE)
Max. case Temp: 110° C



BRACKET

CORE & COIL
MOUNTING BRACKET



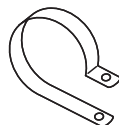
KB47

Mounting bracket for
Core & Coil Ballasts
(2 brackets with thru bolts)



C-01

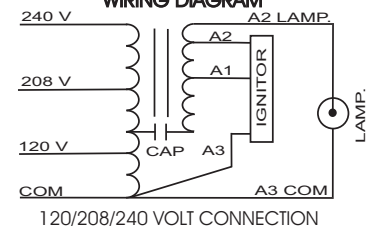
MOUNTING CLIP for round
case (Furnished as standard
with B suffix ballast)



I-01

MOUNTING CLIP for oval
case (Furnished as standard
with B suffix ballast)

WIRING DIAGRAM



Data is based upon tests performed by Industrias Sola Basic in a controlled environment and representative of relative performance. Actual Performance can vary depending on operating conditions. Specifications are subject to change without notice.



Certificate No. 006281



SOLA CANADA LIGHTING & POWER

171 Ambassador Drive
Units 8 & 9
Mississauga, ON
L5T 2J1

Phone: 905-670-0746
Fax: 905-670-9689

www.solacanada.com