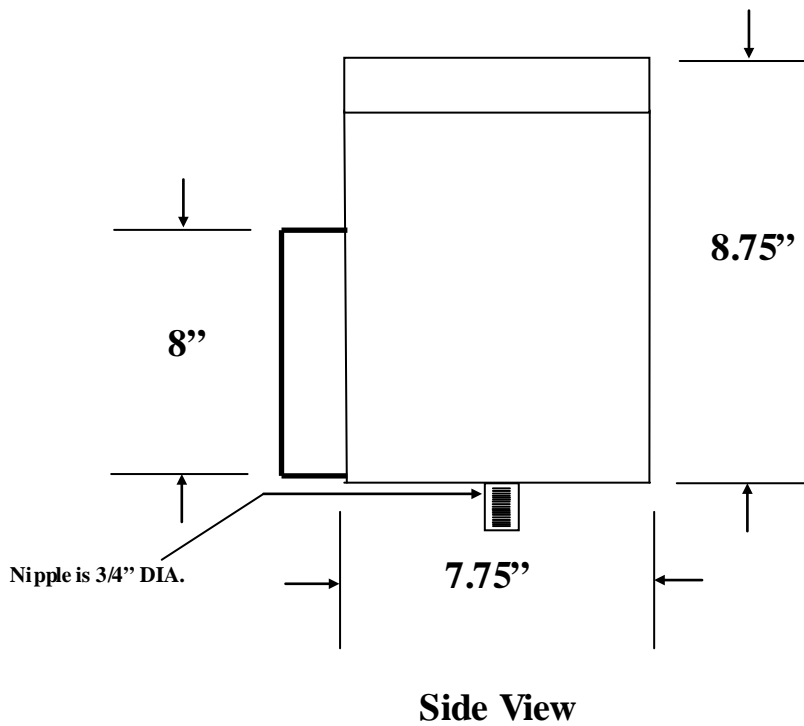


Technical Data Sheet for HID Outdoor Weatherproof Ballasts

SOLA Canada
Outdoor Weatherproof Enclosed Ballast
Dimensional Data
Model #: ESIAJDDZ400-OD1
For one S51 HPS Lamp



SOLA Canada
Outdoor Weatherproof Enclosed Ballast
Dimensional Data
Model #: ESIAJDDZ400-OD1
For one S51 HPS Lamp

Line Voltage	347/480/600V
Regulation	
Line Volts	+/- 10%
Lamp Watts	WITHIN TRAPEZOID
Frequency	60 Hz
Circuit Type	CWI
Power Factor (min)	90%
Insulation Class	H(180°)
Min. Ambient Starting Temp.	-40° F or -40° C

Line Voltage (Volts)	347	480	600
Line Current (Amps)			
Operating	1.50	1.05	0.84
Open Circuit	0.80	0.57	0.46
Starting	0.75	0.47	0.38
Input Watts (W)	465	465	465
Open Circuit Voltage (V)	190	190	190
Drop Out Voltage (V)	260	360	450
UL(1029) Bench Top Rise	F	E	E
Recommended Fuse (Amps)	4	3	3
HIGH POTENTIAL TEST (VOLTS)			
1 Minute	2000		
2 Seconds	2500		
Open Circuit Voltage Test(volts)	170-210		
Short-Circuit Current Test (Amps)			
Secondary Current	5.9-6.5		
Input Current (Amps)	0.36 - 0.54	0.27 - 0.40	0.21 - 0.32



Wiring Diagram

