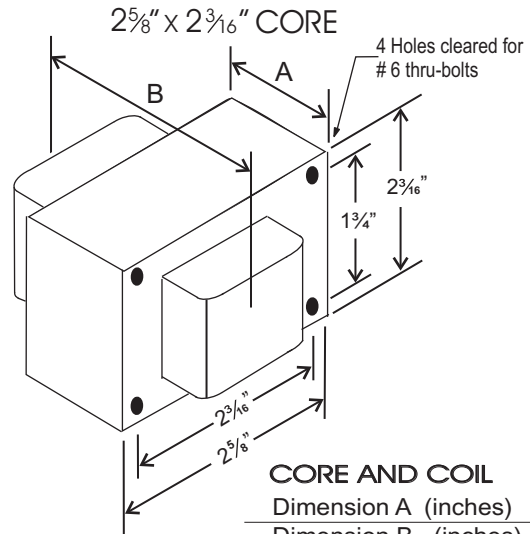


### CATALOG NUMBER: E-SRN00F100 FOR ONE 100 WATT, S54 HIGH PRESSURE SODIUM LAMP

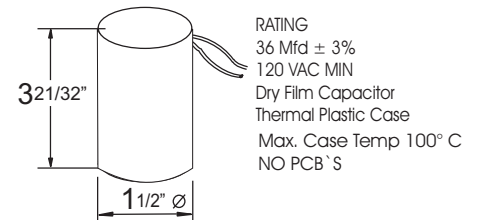
Line Voltage	120V
Regulation	
Line Volts	+/- 5%
Line Watts	WITHIN TRAPEZOID
Frequency	60 Hz
Circuit Type	R-NPF (HPF WITH CAPACITOR)
Power Factor (min)	90% MIN. WITH CAP.
Insulation Class	H(180°)
Min. Ambient Starting Temp.	-40° F or -40° C

Line Voltage (Volts)	120	120
Line Current (Amps)	NPF	HPF
Operating	2.10	1.03
Open Circuit	0.00	1.90
Starting	2.70	1.10
Input Watts (W)	120	120
Open Circuit Voltage (V)	120	120
Drop Out Voltage (V)	95	95
UL(1029) Bench Top Rise	A	A
Recommended Fuse (Amps)	8	5
HIGH POTENTIAL TEST (VOLTS)		
1Minute	2000	
2 Seconds	2500	
Open Circuit Voltage Test(volts)	114-126	
Short-Circuit Current Test (Amps)		
Secondary Current	2.45 - 2.80	
Input Current (Amps)	2.40 - 2.90	0.95 - 1.19



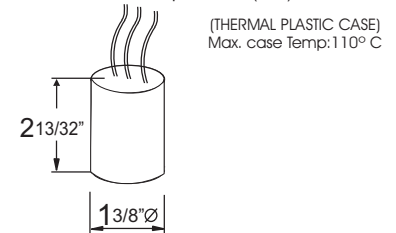
CORE AND COIL	
Dimension A (inches)	1.720
Dimension B (inches)	3.00
Weight (Lbs)	3.40
Lead Lengths (inches)	12

#### CAPACITOR

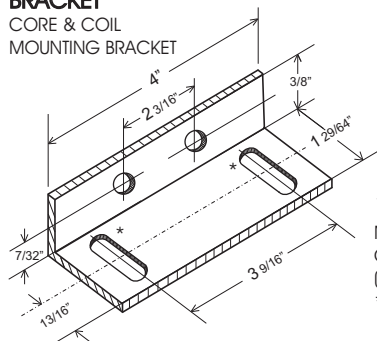


#### IGNITOR 37-63-AS-11.1-N

Ballast to Lamp Distance (BTL): 2 feet



#### BRACKET CORE & COIL MOUNTING BRACKET

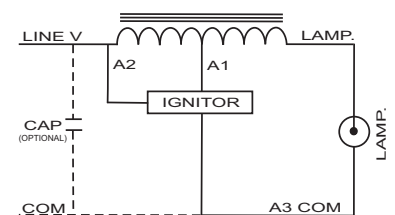


1353  
Mounting bracket for  
Core & Coil Ballasts  
(1 bracket with thru bolts)  
\* 1/4" x 1/8" 2 SLOTS



C-01  
MOUNTING CLIP for round  
case (Furnished as standard  
with B suffix ballast)

#### WIRING DIAGRAM



Data is based upon tests performed by Industrias Sola Basic in a controlled environment and representative of relative performance. Actual Performance can vary depending on operating conditions. Specifications are subject to change without notice.



Certificate No. 006281



## SOLA CANADA LIGHTING & POWER

171 Ambassador Drive  
Units 8 & 9  
Mississauga, ON  
L5T 2J1

Phone: 905-670-0746  
Fax: 905-670-9689

www.solacanada.com