

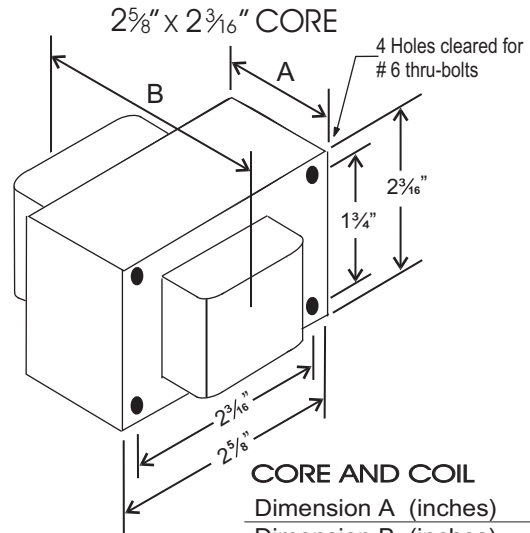
CATALOG NUMBER: E-SRN00F150IA FOR ONE 150 WATT, S55 HIGH PRESSURE SODIUM LAMP

Line Voltage	120V
Regulation	
Line Volts	+/- 5%
Lamp Watts	WITHIN TRAPEZOID
Frequency	60 Hz
Circuit Type	R-NPF (HPF WITH CAPACITOR)
Power Factor (min)	90% MIN. WITH CAP.
Insulation Class	H(180°)
Min. Ambient Starting Temp.	-40° F or -40° C

Line Voltage (Volts)	120	120
Line Current (Amps)	NPF	HPF
Operating	3.20	1.50
Open Circuit	0	2.52
Starting	4.73	2.25
Input Watts (W)	170	170
Open Circuit Voltage (V)	120	120
Drop Out Voltage (V)	95	95
UL(1029) Bench Top Rise	A	A
Recommended Fuse (Amps)	15	8

HIGH POTENTIAL TEST (VOLTS)

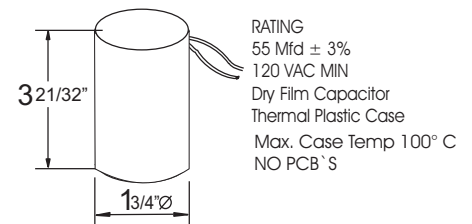
1 Minute	2000
2 Seconds	2500
Open Circuit Voltage Test (volts)	114-126
Short-Circuit Current Test (Amps)	
Secondary Current	3.92-6.6
Input Current (Amps)	3.92 - 1.73 - 6.6 3.97



CORE AND COIL

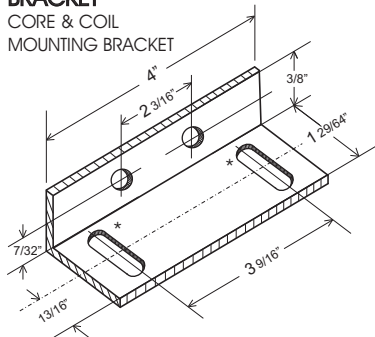
Dimension A (inches)	2.02
Dimension B (inches)	3.73
Weight (Lbs)	3.36
Lead Lengths (inches)	12

CAPACITOR



BRACKET

CORE & COIL
MOUNTING BRACKET

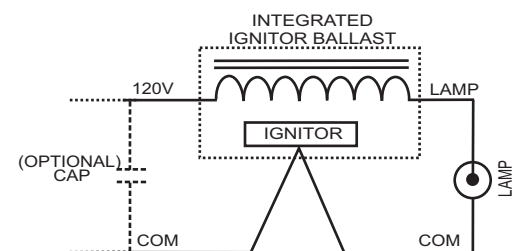


1353
Mounting bracket for
Core & Coil Ballasts
(1 bracket with thru bolts)
* 1/4" x 1 1/8" 2 SLOTS



C-01
MOUNTING CLIP for round
case (Furnished as standard
with B suffix ballast)

WIRING DIAGRAM



An integrated ignitor to the core and coil assembly is used to start the lamp

Ballast to Lamp Distance
(BTL) = 2 feet

Data is based upon tests performed by Industrias Sola Basic in a controlled environment and representative of relative performance. Actual Performance can vary depending on operating conditions. Specifications are subject to change without notice.

ISO 9001:2000



SOLA CANADA

LIGHTING & POWER

171 Ambassador Drive
Units 8 & 9
Mississauga, ON
L5T 2J1

Phone: 905-670-0746
Fax: 905-670-9689

www.solacanada.com

Made in Mexico by Industrias Sola Basic S.A de C.V.