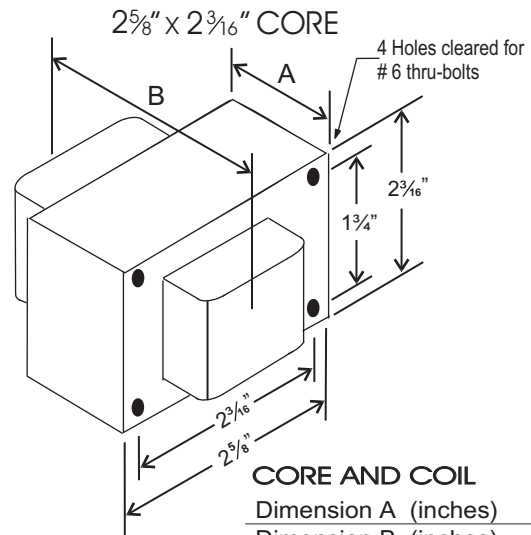


CATALOG NUMBER: E-SRN00F35IA FOR ONE 35 WATT, S76 HIGH PRESSURE SODIUM LAMP

Line Voltage	120V
Regulation	
Line Volts	+/- 5%
Lamp Watts	WITHIN TRAPEZOID
Frequency	60 Hz
Circuit Type	R-NPF (HPF WITH CAPACITOR)
Power Factor (min)	90% MIN. WITH CAP.
Insulation Class	H(180°)
Min. Ambient Starting Temp.	-40° F or -40° C

Line Voltage (Volts)	120	120
Line Current (Amps)	NPF	HPF
Operating	0.83	0.40
Open Circuit	0	0.72
Starting	1.27	0.55
Input Watts (W)	45	45
Open Circuit Voltage (V)	120	120
Drop Out Voltage (V)	95	95
UL(1029) Bench Top Rise	A	A
Recommended Fuse (Amps)	3	2

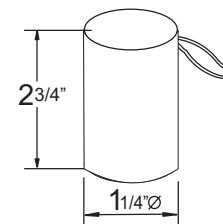
HIGH POTENTIAL TEST (VOLTS)	
1 Minute	2000
2 Seconds	2500
Open Circuit Voltage Test (volts)	114-126
Short-Circuit Current Test (Amps)	
Secondary Current	1.0 - 1.72
Input Current (Amps)	1.05 - 0.40 - 1.75 1.02



CORE AND COIL

Dimension A (inches)	0.60
Dimension B (inches)	2.10
Weight (Lbs)	1.23
Lead Lengths (inches)	12

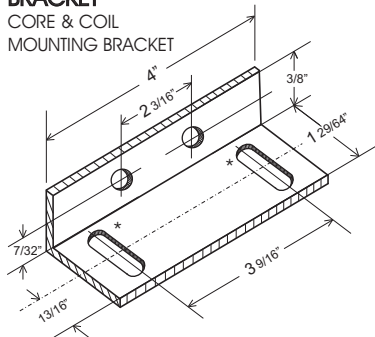
CAPACITOR



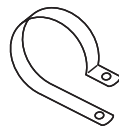
RATING
16 Mfd ± 3%
120 VAC MIN
Dry Film Capacitor
Thermal Plastic Case
Max. Case Temp 100° C
NO PCB'S

BRACKET

CORE & COIL
MOUNTING BRACKET

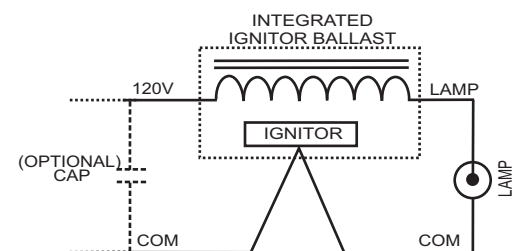


1353
Mounting bracket for
Core & Coil Ballasts
(1 bracket with thru bolts)
* 1/4" x 1 1/8" 2 SLOTS



C-01
MOUNTING CLIP for round
case (Furnished as standard
with B suffix ballast)

WIRING DIAGRAM



An integrated ignitor to the core and coil assembly is used to start the lamp

Ballast to Lamp Distance
(BTL) = 2 feet

Data is based upon tests performed by Industrias Sola Basic in a controlled environment and representative of relative performance. Actual Performance can vary depending on operating conditions. Specifications are subject to change without notice.

ISO 9001:2000



SOLA CANADA

LIGHTING & POWER

171 Ambassador Drive
Units 8 & 9
Mississauga, ON
L5T 2J1

Phone: 905-670-0746
Fax: 905-670-9689

www.solacanada.com

Made in Mexico by Industrias Sola Basic S.A de C.V.