

## REMOTE IGNITORS FOR HPS LAMP BALLASTS

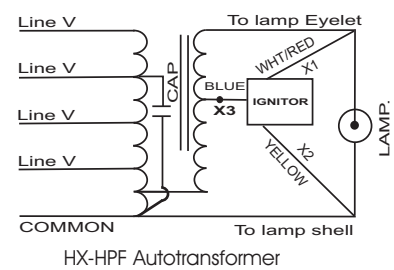
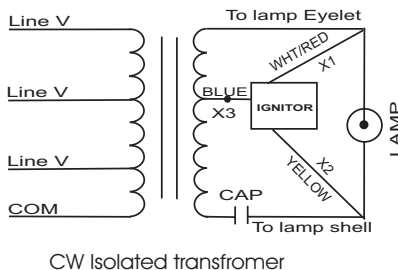
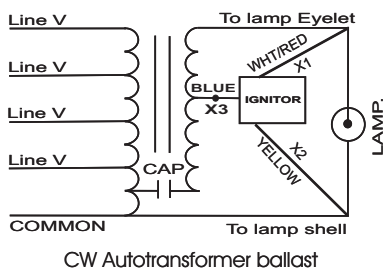
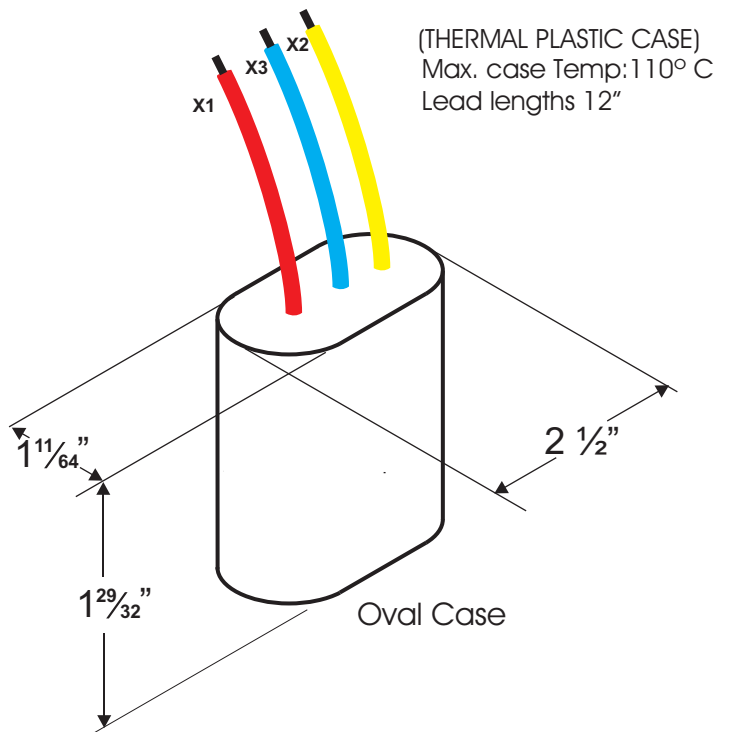
- SOLA ignitors for remote applications are available for most common High Pressure Sodium HID lamp circuit ballasts in the market.
- Maximum ballast to lamp distance up to 50 ft.
- Replacement for standard ignitor in ballast circuit.
- Requires 5 kV Pulse Rated Socket
- These ignitos are available for 35 to 150W, 150W (100V) to 430W and 1000W HPS lamp ballasts

356-BS-9.1 HPSF is compatible with any High-Reactance (HX),55V HPS lamp ballasts. Maximum ballast to lamp distance (BTL)= 30 ft

33-60-BS-9.1 is compatible with any Constant Wattage Autotransformer (CWA) and Constant Wattage Isolated Transformer (CWI) 55V HPS lamp ballasts Maximum ballast to lamp distance (BTL)= 50 ft

356-BS-6.9 A2 is compatible with any Constant Wattage Autotransformer (CWA) and Constant Wattage Isolated Transformer (CWI) 100V HPS lamp ballasts Maximum ballast to lamp distance (BTL)= 50ft

37-90-AS-13.1-N1 is compatible with any Constant Wattage Autotransformer (CWA) and Constant Wattage Isolated Transformer (CWI) 1000W S52 HPS lamp ballasts Maximum ballast to lamp distance (BTL)= 50ft



ISO 9001:2000



**SOLA CANADA**  
**LIGHTING & POWER**

171 Ambassador Drive  
Units 8 & 9  
Mississauga, ON  
L5T 2J1

Phone: 905-670-0746  
Fax: 905-670-9689

www.solacanada.com